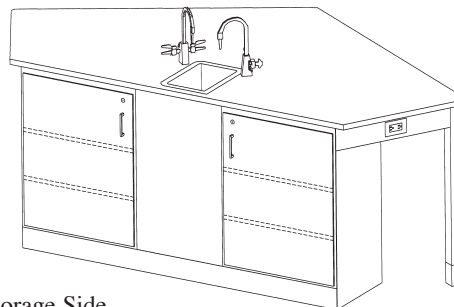
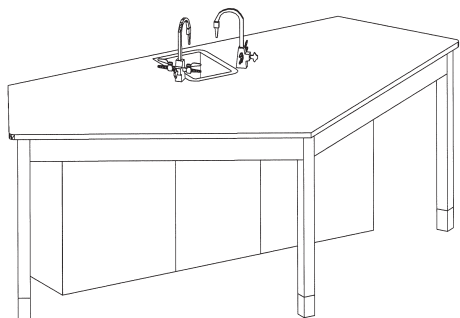


## Assemblies

### Lab Stations



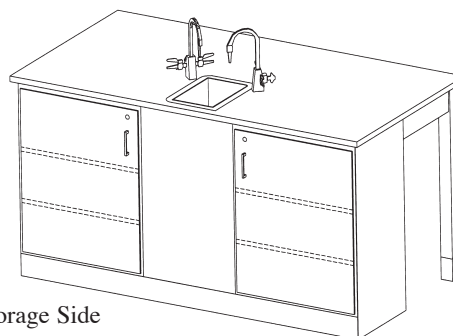
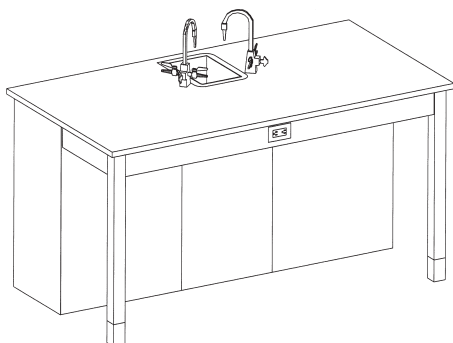
Storage Side

**LAB-VIEW 4 PERSON LAB STATION** - This workstation is equipped with a 12" x 8" x 6" epoxy resin drop in sink, 2 multi-service fixtures with cold water gooseneck faucet and 2 gas cocks each and two GFI AC duplex electrical receptacle. The top is 1" black solid epoxy resin with a drip groove. The two 24"W x 16"D x 35"H storage cabinets are equipped with 2 adjustable shelves allowing for flexible storage. The mechanical area between the storage cabinets is accessed from the front through an 18" wide removable panel. 96"W x 48"D x 36"H.

**SLS-400-W** Lab-View 4 Person Lab Station

**LAB-VIEW 4 PERSON LAB STATION WITH FLAT TOP** - Same as above except that the water and gas assemblies are omitted.

**SLS-400CT-W** Lab-View 4 Person Lab Station with Flat Top



Storage Side

**LAB-VIEW 2 PERSON LAB STATION** - This unit has all the advantages of the Lab-View 4 person workstation but is designed for use by two people. This workstation is equipped with a 12"x 8" x 6" epoxy resin drop in sink, 2 multi-service fixtures with cold water gooseneck faucet and 2 gas cocks each and one GFI AC duplex electrical receptacle. The top is 1" black solid epoxy resin with a drip groove. The two 24"W x 16"D x 35"H storage cabinets are equipped with 2 adjustable shelves allowing for flexible storage. The mechanical area between the storage cabinets is accessed from the front through an 18" wide removable panel. 68"W x 36"D x 36"H.

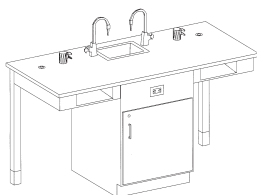
**SLS-200-W** Lab-View 2 Person Lab Station

**LAB-VIEW 2 PERSON LAB STATION WITH FLAT TOP** - Same as above except that the water and gas assemblies are omitted.

**SLS-200CT-W** Lab-View 2 Person Lab Station with Flat Top

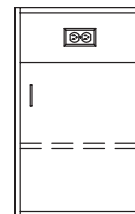
**Assemblies**

**Island Labs**



**2 PERSON WORKSTATION** - Single faced tables that provide a fully equipped science center for two people. These single faced units contain a solid epoxy resin sink along with two faucets. Every unit contains enough gas cocks for each person along with GFI AC duplex electrical receptacles, rod sockets and book compartments. The cabinet contains a cupboard with an adjustable shelf. 66"L x 30"W x 36"H.

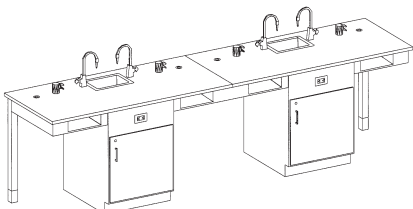
**ISL-210A-W** 2 Person Workstation



**Door Option A**

**2 PERSON WORKSTATION WITH FLAT TOP** - Same as above except that the water and gas assemblies and the rod sockets are omitted.

**ISL-210ACT-W** 2 Person Workstation with Flat Top



**4 PERSON WORKSTATION** - Single faced tables that provide a fully equipped science center for four people. These single faced units contain two solid epoxy resin sinks along with four faucets. Every unit contains enough gas cocks for each person along with GFI AC duplex electrical receptacles, rod sockets and book compartments. The two cabinets each contain a cupboard with an adjustable shelf. 11'L x 30"W x 36"H.

**ISL-410A-W** 4 Person Workstation

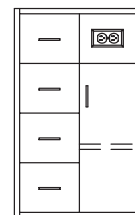
**4 PERSON WORKSTATION WITH FLAT TOP** - Same as above except that the water and gas assemblies and the rod sockets are omitted.

**ISL-210ACT-W** 4 Person Workstation with Flat Top



**2 PERSON WORKSTATION** - Single faced tables that provide a fully equipped science center for two people. These single faced units contain a solid epoxy resin sink along with two faucets. Every unit contains enough gas cocks for each person along with GFI AC duplex electrical receptacles, rod sockets and book compartments. The cabinet contains 4 drawers and a cupboard. 66"L x 30"W x 36"H.

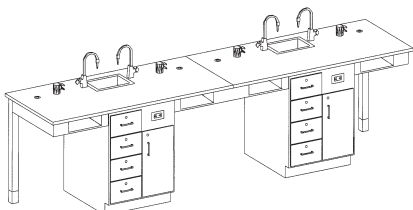
**ISL-210B-W** 2 Person Workstation



**Door Option B**

**2 PERSON WORKSTATION WITH FLAT TOP** - Same as above except that the water and gas assemblies and the rod sockets are omitted.

**ISL-210BCT-W** 2 Person Workstation with Flat Top



**4 PERSON WORKSTATION** - Single faced tables that provide a fully equipped science center for four people. These single faced units contain two solid epoxy resin sinks along with four faucets. Every unit contains enough gas cocks for each person along with GFI AC duplex electrical receptacles, rod sockets and book compartments. The two cabinets each contain 4 drawers and a cupboard. 11'L x 30"W x 36"H.

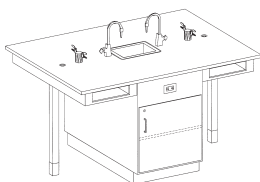
**ISL-410B-W** 4 Person Workstation

**4 PERSON WORKSTATION WITH FLAT TOP** - Same as above except that the water and gas assemblies and the rod sockets are omitted.

**ISL-410BCT-W** 4 Person Workstation with Flat Top

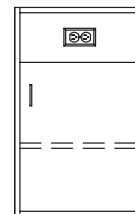
## Assemblies

### Island Labs



**4 PERSON WORKSTATION** - Double faced tables that provide a fully equipped science center for four people. These double faced units contain a solid epoxy resin sink along with two faucets. Every unit contains enough gas cocks for each person along with GFI AC duplex electrical receptacles, rod sockets and book compartments. The front and back of the cabinet each contain a cupboard with an adjustable shelf. 66"L x 48"W x 36"H.

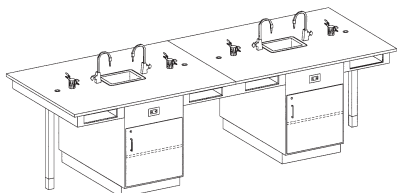
**ISL-420A-W** 4 Person Workstation



**Door Option A**

**4 PERSON WORKSTATION WITH FLAT TOP** - Same as above except that the water and gas assemblies and the rod sockets are omitted.

**ISL-420ACT-W** 4 Person Workstation with Flat Top

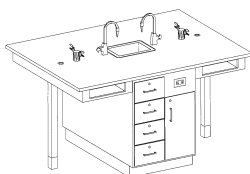


**8 PERSON WORKSTATION** - Double faced tables that provide a fully equipped science center for eight people. These double faced units contain two solid epoxy resin sinks along with four faucets. Every unit contains enough gas cocks for each person along with GFI AC duplex electrical receptacles, rod sockets and book compartments. The front and back of the two cabinets each contain a cupboard with an adjustable shelf. 11'L x 48"W x 36"H.

**ISL-820A-W** 8 Person Workstation

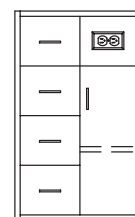
**8 PERSON WORKSTATION WITH FLAT TOP** - Same as above except that the water and gas assemblies and the rod sockets are omitted.

**ISL-820ACT-W** 8 Person Workstation with Flat Top



**4 PERSON WORKSTATION** - Double faced tables that provide a fully equipped science center for four people. These double faced units contain a solid epoxy resin sink along with two faucets. Every unit contains enough gas cocks for each person along with GFI AC duplex electrical receptacles, rod sockets and book compartments. The front and back of the cabinet each contain 4 drawers and a cupboard. 66"L x 48"W x 36"H.

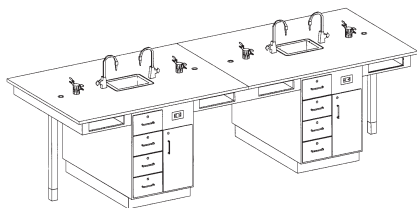
**ISL-420B-W** 4 People Workstation



**Door Option B**

**4 PERSON WORKSTATION WITH FLAT TOP** - Same as above except that the water and gas assemblies and the rod sockets are omitted.

**ISL-420BCT-W** 4 Person Workstation with Flat Top



**8 PERSON WORKSTATION** - Double faced tables that provide a fully equipped science center for eight people. These double faced units contain two solid epoxy resin sinks along with four faucets. Every unit contains enough gas cocks for each person along with GFI AC duplex electrical receptacles, rod sockets and book compartments. The front and back of the two cabinets each contain 4 drawers and a cupboard. 11'L x 48"W x 36"H.

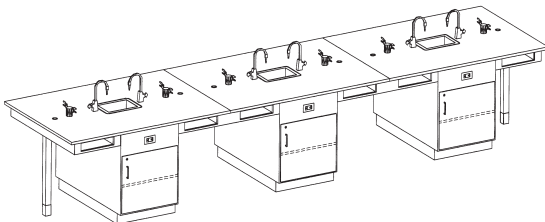
**ISL-820B-W** 8 Person Workstation

**8 PERSON WORKSTATION WITH FLAT TOP** - Same as above except that the water and gas assemblies and the rod sockets are omitted.

**ISL-820BCT-W** 8 Person Workstation with Flat Top

**Assemblies**

**Island Labs**



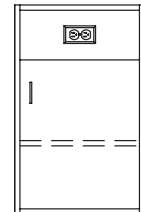
and back of the three cabinets each contain a cupboard with an adjustable shelf. 16½'L x 48"W x 36"H.

**ISL-1210A-W** 12 Person Workstation

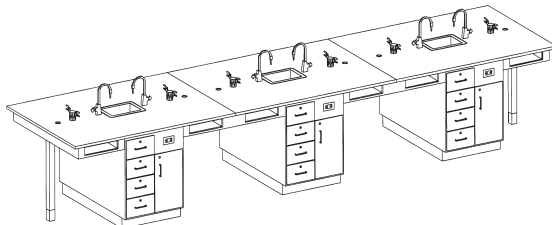
12 PEOPLE WORKSTATION WITH FLAT TOP - Same as above except that the water and gas assemblies and the rod sockets are omitted.

**ISL-1210ACT-W** 12 People Workstation with Flat Top

12 PERSON WORKSTATION - Double faced tables that provide a fully equipped science center for 12 people. These double faced units contain three solid epoxy resin sinks along with six faucets. Every unit contains enough gas cocks for each person along with GFI AC duplex electrical receptacles, rod sockets and book compartments. The front



**Door Option A**



and back of the three cabinets each contain 4 drawers and a cupboard. 16½'L x 48"W x 36"H.

**ISL-1220B-W** 12 Person Workstation

12 PERSON WORKSTATION WITH FLAT TOP - Same as above except that the water and gas assemblies and the rod sockets are omitted.

**ISL-1220BCT-W** 12 Person Workstation with Flat Top

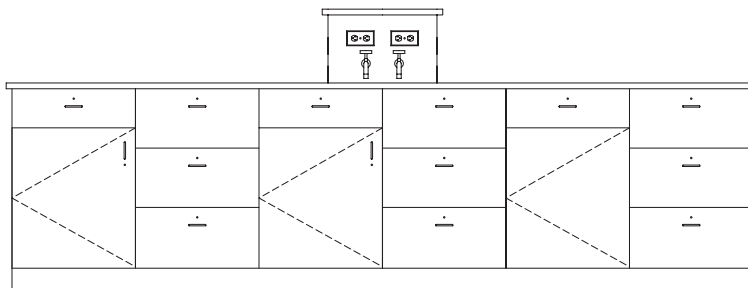
12 PERSON WORKSTATION - Double faced tables that provide a fully equipped science center for 12 people. These double faced units contain three solid epoxy resin sinks along with six faucets. Every unit contains enough gas cocks for each person along with GFI AC duplex electrical receptacles, rod sockets and book compartments. The front



**Door Option B**

## Assemblies

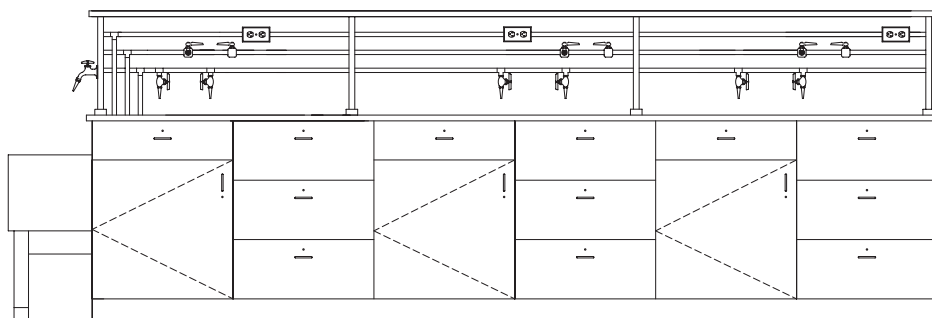
### Lab Benches



**DOUBLE SIDED ISLAND LAB CENTER WITH RAISED SERVICE TURRET** - Excellent choice for the physics lab. Designed for eight people. Raised turret houses four single gas cocks, four duplex 110-V AC electrical outlets. 1" flat phenolic resin countertop. Raised turret is selected hardwood with 1" phenolic resin cap. Substitute any base cabinets totaling 12'-0" long. Turret 14"W x 12"D x 12"H.

#### LRB-203-W

<b>W</b>	12' - 2"
<b>H</b>	36 to countertop / 48 with raised turret
<b>D</b>	48



**DOUBLE SIDED ISLAND LAB CENTER WITHOUT KNEE SPACE** - Designed for eight to twelve people. 1" epoxy resin countertop with trough sink running entire length of the assembly, draining into end sink. Reagent shelving is 3/4" phenolic resin. Includes six coldwater cocks, six single gas cocks, 6 duplex 110-V AC electrical outlets and one cold water bibb cock at end sink. Service piping and wiring not included. Substitute any base cabinets totaling 12' - 0" long. End sink 22"L x 13½"W x 12½"D.

#### LRB-218-W

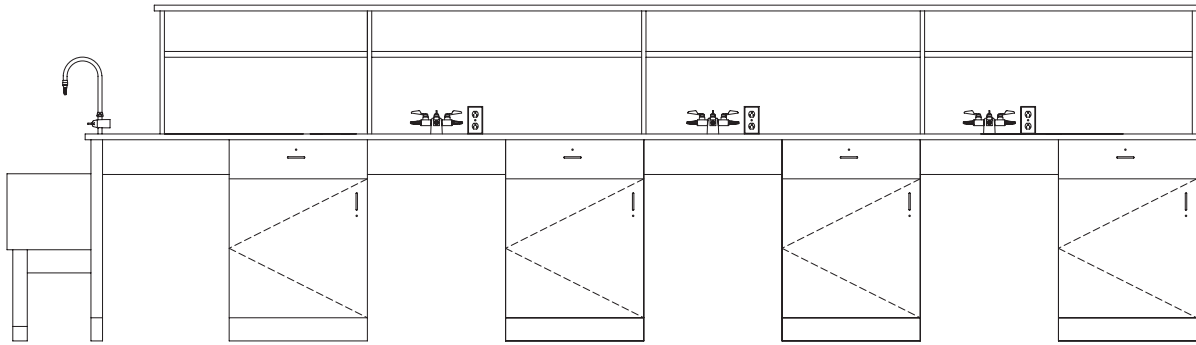
<b>W</b>	12' - 2" not including end sink / 11' - 11" with reagent shelf
<b>H</b>	36 to countertop / 54 with reagent shelf
<b>D</b>	54 countertop / 12 with reagent shelf

Combination options, sizes and lengths can be customized to fit your requirements.

All measurements in inches.

## Assemblies

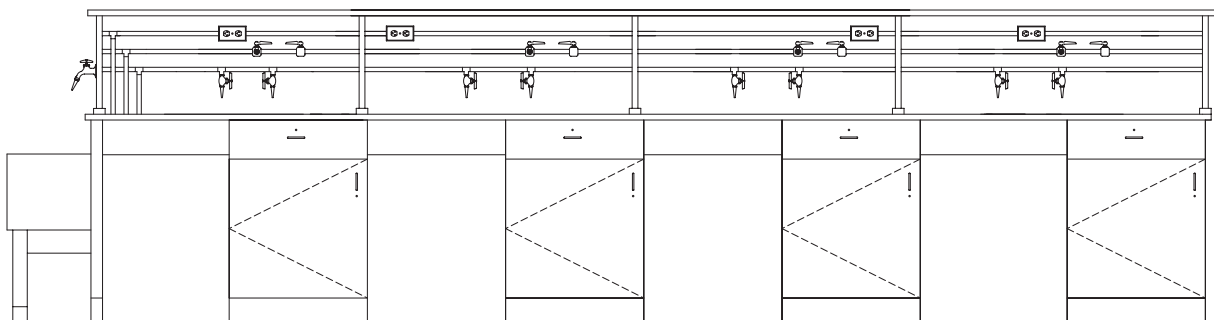
### Lab Benches



DOUBLE SIDED ISLAND LAB CENTER WITH KNEE SPACE - Designed for eight people. 1" flat epoxy resin countertop (no trough sink). Includes three A-way gas cocks, three double sided electrical pedestals with one duplex 110-V AC outlet each side, one cold water deck mounted gooseneck fixture and one end sink. Reagent shelf 3/4" phenolic resin. Substitute base cabinets with any 24" x 22"D base cabinet. End sink 22"L x 13½"W x 12½"D.

#### LRB-230-W

<b>W</b>	16' - 0" not including end sink / 14' - 9" with reagent shelf
<b>H</b>	36 to countertop / 54 with reagent shelf
<b>D</b>	54 countertop / 12 with reagent shelf



DOUBLE SIDED ISLAND LAB CENTER WITH KNEE SPACE - Designed for eight people laboratory center. Each person has individual storage at his lab station. 1" epoxy resin countertop with trough sink running the entire length of the assembly draining into the end sink. Reagent shelving is 3/4" phenolic resin. Includes eight cold water cocks, eight single gas cocks, 8 duplex 110-V AC electrical outlets and one cold water bibb cock at end sink. Service piping and wiring in reagent rack not included. Substitute base cabinets with any 24"W x 22"D base cabinets. End sink 22"L x 13½"W x 12½"D.

#### LRB-240A-W

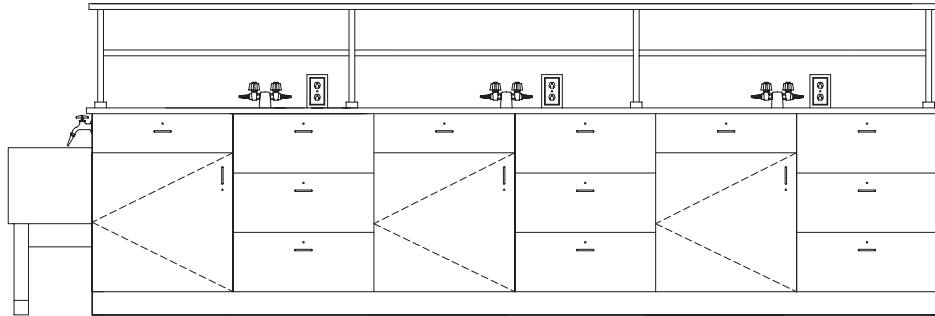
<b>W</b>	16' - 0" not including end sink / 15' - 9" with reagent shelf
<b>H</b>	36 to countertop / 54 with reagent shelf
<b>D</b>	54 countertop / 12 with reagent shelf

Combination options, sizes and lengths can be customized to fit your requirements.

All measurements in inches.

## Assemblies

### Lab Benches



DOUBLE SIDED ISLAND LAB CENTER WITHOUT KNEE SPACE - Designed for eight to twelve people. 1" flat epoxy resin countertop (no trough sink). Includes three 4-way gas cocks, three double sided electrical pedestals with one duplex 110-V AC outlet each side, one cold water deck mounted gooseneck fixture and one end sink. Reagent shelf 3/4" phenolic resin. Substitute any base cabinets totaling 12' - 0" long. End sink 22"L x 13½"W x 12½"D.

#### LRB-450-W

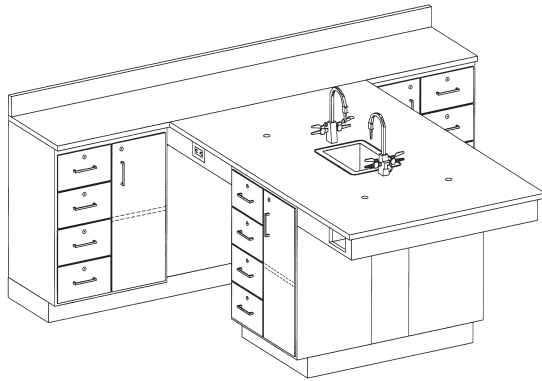
<b>W</b>	12' - 2" not including end sink / 10' - 9" with reagent shelf
<b>H</b>	36 to countertop / 54 with reagent shelf
<b>D</b>	54 countertop / 12 with reagent shelf

Combination options, sizes and lengths can be customized to fit your requirements.

All measurements in inches.

## Assemblies

### Perimeter Labs



CABINET STYLE OPTIONS - All cabinets are 24"W.  
The wall annex is 18"D.



201



218



242, 243



443

**PERIMETER WORKSTATIONS** - Provide work space for up to four people while storing your valuable laboratory equipment in these versatile perimeter workstations. Choose from four different configurations (door, door and 1 drawer, door and 4 drawers or 4 drawers). The stations are designed to utilize space along walls where they can stand alone or be ganged together. Each unit includes: 1" solid epoxy resin top with a 4" curb, solid epoxy drop-in style sink with strainer, 2 multiservice fixtures with cold water and 2 gas cocks, 4 rod sockets, rod storage, and 2 GFI receptacles. 90"W x 36"H x 84"D.

**PSL-201-W** Door Unit

**PSL-218-W** Door / Drawer Unit

**PSL-242-W** Door / 4 Drawer Unit

**PSL-443-W** 4 Drawer Unit

**PERIMETER WORKSTATION WITH COUNTERTOP** - Same as above except that the water and gas assemblies and the rod sockets are omitted.

**PSL-201CT-W** Door Unit with Flat Top

**PSL-218CT-W** Door / Drawer Unit with Flat Top

**PSL-243CT-W** Door / 4 Drawer Unit with Flat Top

**PSL-443CT-W** 4 Drawer Unit with Flat Top

**MIX AND MATCH PERIMETER WORKSTATIONS** - Provide work space for up to four people while storing your valuable laboratory equipment in these versatile perimeter workstations. Choose one style cabinet for the wall annex and another for the peninsula base. The stations are designed to utilize space along walls where they can stand alone or be ganged together. Each unit includes: 1" solid epoxy resin top with a 4" curb, solid epoxy drop-in style sink with strainer, 2 multiservice fixtures with cold water and 2 gas cocks, 4 rod sockets, rod storage, and 2 GFI receptacles. 90"W x 36"H x 84"D.

#### CABINET STYLE OPTIONS



201



218



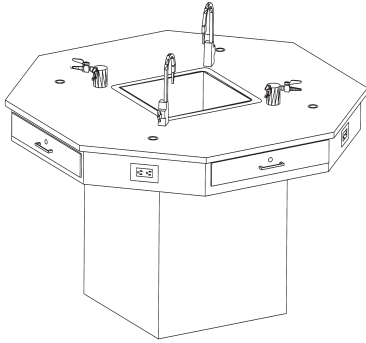
242, 243



443

**Assemblies**

**Octagon / Trifacial Workstations**



**OCTAGON WORKSTATIONS** - Both units provide ample space for 4 people and are available in 56" or 62" solid epoxy resin tops. The center pedestal with apron comes equipped with 4 drawers and 4 GFI protected AC duplex receptacles. Accessories include two cold water faucets, two 90° gas fixtures, 4 rod sockets and a 16" x 16" x 7" solid epoxy sink with strainer, stopper and trap. The center pedestal has a removable panel to access utilities. The drawer cabinet unit features the same accessories as the pedestal unit. 16 larger drawers replace the 4 smaller drawers in the pedestal unit. The unit is designed to have one of the base cabinets removable to access the utilities. The top is 1" solid epoxy resin. Overall Dimensions: 56" units measure 56"W x 56"D x 36"H. 62" units measure 62"W x 62"D x 36"H

**OCT-560-W** 56" with Pedestal Base

**OCT-565-W** 56" with Drawer Base

**OCT-620-W** 62" with Pedestal Base

**OCT-625-W** 62" with Drawer Base



**OCTAGON WORKSTATIONS WITH FLAT TOP** - Same as above except that the water and gas assemblies and the rod sockets are omitted.

**OCT-560CT-W** 56" with Pedestal Base with Flat Top

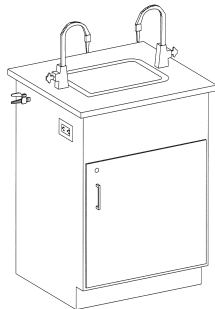
**OCT-565CT-W** 56" with Drawer Base with Flat Top

**OCT-620CT-W** 62" with Pedestal Base with Flat Top

**OCT-625CT-W** 62" with Drawer Base with Flat Top

**SERVICE ISLAND** -

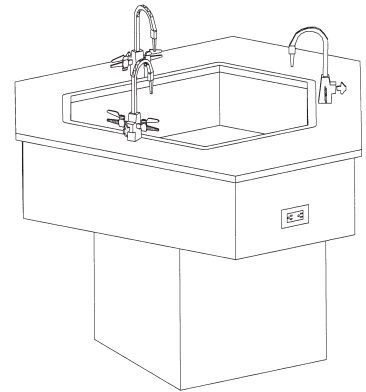
A compact service island constructed of solid hardwood, solid oak and oak veneers, with a clear environmentally friendly waterborne acrylic finish. The unit includes one 14" x 10" x 6" solid epoxy resin sink, two cold water gooseneck faucets, two double gas cocks, two GFI AC duplex electrical receptacles, chemical-resistant polypropylene trap, and locking cupboard. The top is 1" solid epoxy resin. 26"W x 24"D x 36"H.



**SI-100-W** Service Island

**TRIFACIAL WORKSTATION** -

Hexagonal work station designed to be used with standard laboratory tables. Accommodates more people and provides efficient use of floor space. This unit features a molded epoxy resin top with a drop in hexagonal lipped sink. Apron and pedestal are constructed of solid hardwood, solid oak and oak veneers, with a clear environmentally friendly waterborne acrylic finish. Equipped with three multiservice fixtures containing one cold water faucet and two gas cocks and three GFI duplex receptacles. The center pedestal has a removable panel to access utilities. 49" x 56½" x 36"H



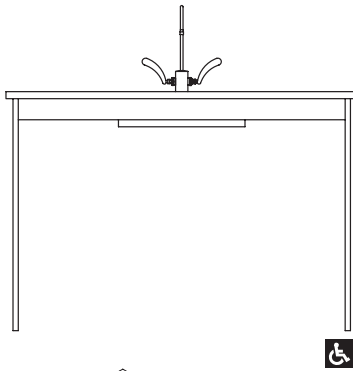
**TSL-100-W** Trifacial Workstation

**TRIFACIAL WORKSTATIONS WITH FLAT TOP** - Same as above except that the water and gas assemblies and the rod sockets are omitted.

**TSL-100CT-W** Trifacial with Flat Top

**Assemblies**

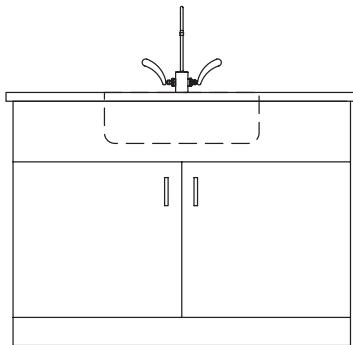
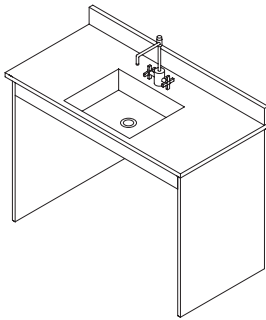
**Sink Workstations**



ADA SINK STATION MULTIPURPOSE - Epoxy resin countertop and sink basin. Combination hot and cold water and gas fixture. Use this item number for any ADA configuration. Add special information to drawings to meet requirements.

**AS-100-W**

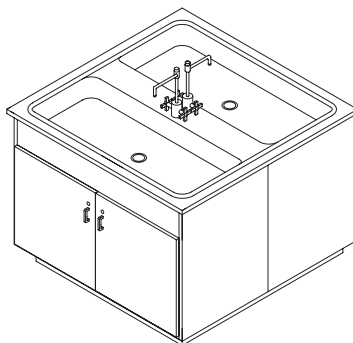
<b>W</b>	Specify
<b>H</b>	Specify
<b>D</b>	Specify



ISLAND SINK STATION - Stainless steel sinks. Two hot and two cold gooseneck faucets. Two sink cabinets with hinged doors.

**AS-200-W**

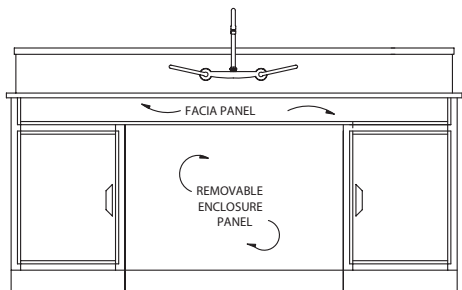
<b>W</b>	48
<b>H</b>	36
<b>D</b>	48



All measurements in inches.

**Assemblies**

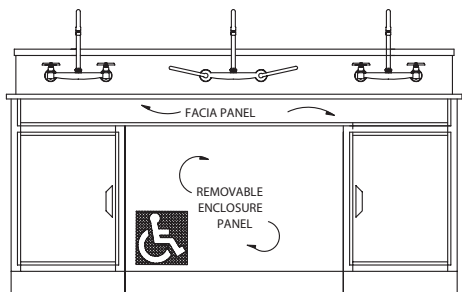
**Sink Workstations**



WALL SINK STATION - Stainless Steel basin. Hot and cold water faucet. Two sink cabinets with closure panel.

**AS-300-W**

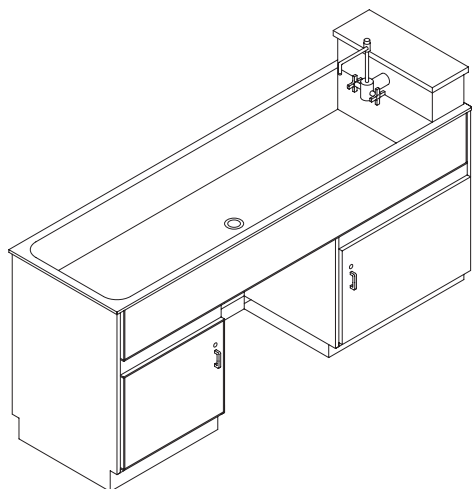
<b>W</b>	72
<b>H</b>	36" to top of sink
<b>D</b>	30



WALL SINK STATION - Stainless Steel basin. Three hot and cold water faucets (one ADA). Two sink cabinets with closure panel.

**AS-400-W**

<b>W</b>	72
<b>H</b>	34" to top of sink
<b>D</b>	30



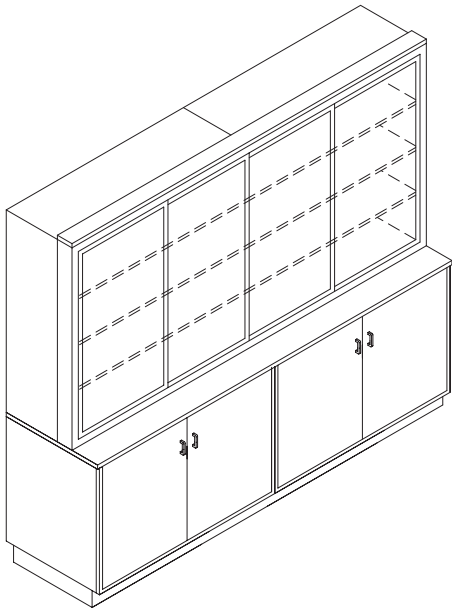
WALL SINK STATION - Stainless Steel basin. Hot and cold water faucet. Two sink cabinets with closure panel.

**AS-500-W**

<b>W</b>	80
<b>H</b>	40
<b>D</b>	24

All measurements in inches.

**Assemblies**

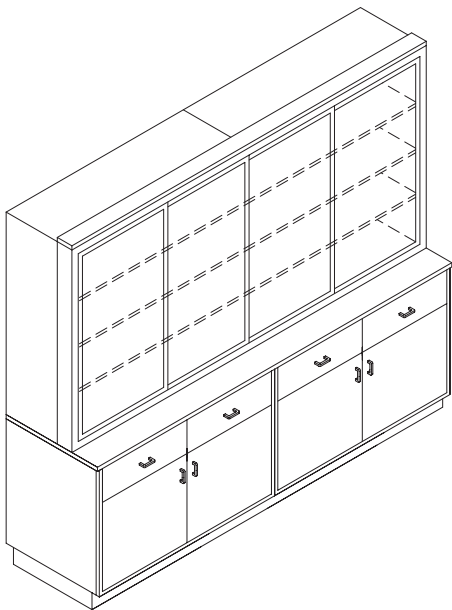


CHALKBOARD / MARKER BOARD STORAGE - Four boards on slides. Storage units behind boards with three adjustable shelves each. Two door base cabinets, each with adjustable shelf.

**AS-301-W**

<b>W</b>	96, 120, 144
<b>H</b>	84
<b>D</b>	25

96"W has (2) 48"W base cabinets and (2) 48" hutch cabinets  
 120"W has (3) 39"W base cabinets and (3) 39" hutch cabinets  
 144"W has (3) 48"W base cabinets and (3) 48" hutch cabinets



CHALKBOARD / MARKER BOARD STORAGE - Four boards on slides. Storage units behind boards with three adjustable shelves each. Two door / drawer base cabinets, each with adjustable shelf.

**AS-329-W**

<b>W</b>	96, 120, 144
<b>H</b>	84
<b>D</b>	25

96"W has (2) 48"W base cabinets and (2) 48" hutch cabinets  
 120"W has (3) 39"W base cabinets and (3) 39" hutch cabinets  
 144"W has (3) 48"W base cabinets and (3) 48" hutch cabinets

All measurements in inches.