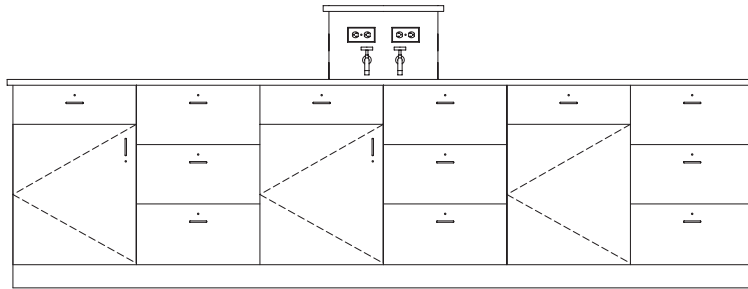


Assemblies

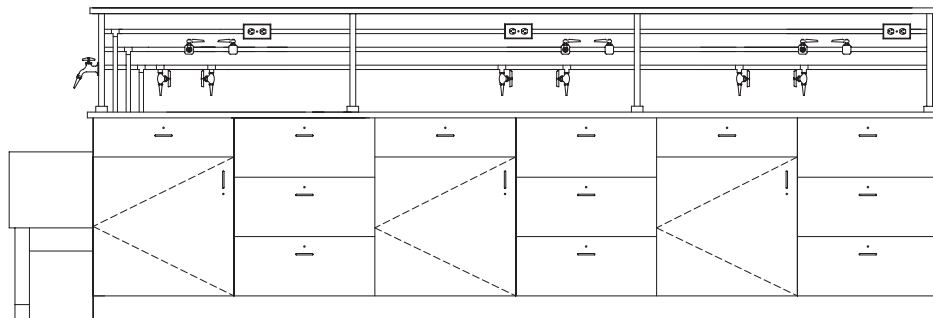
Lab Benches



DOUBLE SIDED ISLAND LAB CENTER WITH RAISED SERVICE TURRET - Excellent choice for the physics lab. Designed for eight people. Raised turret houses four single gas cocks, four duplex 110-V AC electrical outlets. 1" flat phenolic resin countertop. Raised turret is selected hardwood with 1" phenolic resin cap. Substitute any base cabinets totaling 12'-0" long. Turret 14"W x 12"D x 12"H.

LRB-203-M

W	12' - 2"
H	36 to countertop / 48 with raised turret
D	48



DOUBLE SIDED ISLAND LAB CENTER WITHOUT KNEE SPACE - Designed for eight to twelve people. 1" epoxy resin countertop with trough sink running entire length of the assembly, draining into end sink. Reagent shelving is 3/4" phenolic resin. Includes six coldwater cocks, six single gas cocks, 6 duplex 110-V AC electrical outlets and one cold water bibb cock at end sink. Service piping and wiring not included. Substitute any base cabinets totaling 12' - 0" long. End sink 22"L x 13½"W x 12½"D.

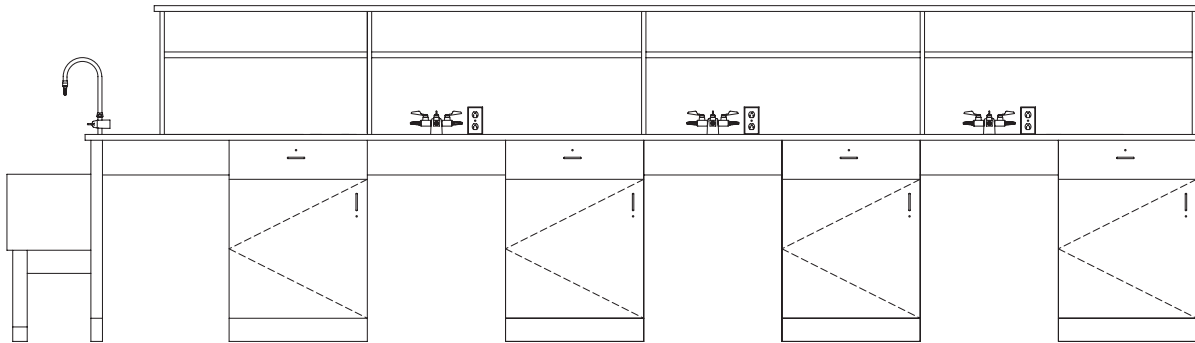
LRB-218-M

W	12' - 2" not including end sink / 11' - 11" with reagent shelf
H	36 to countertop / 54 with reagent shelf
D	54 countertop / 12 with reagent shelf

Combination options, sizes and lengths can be customized to fit your requirements.

Assemblies

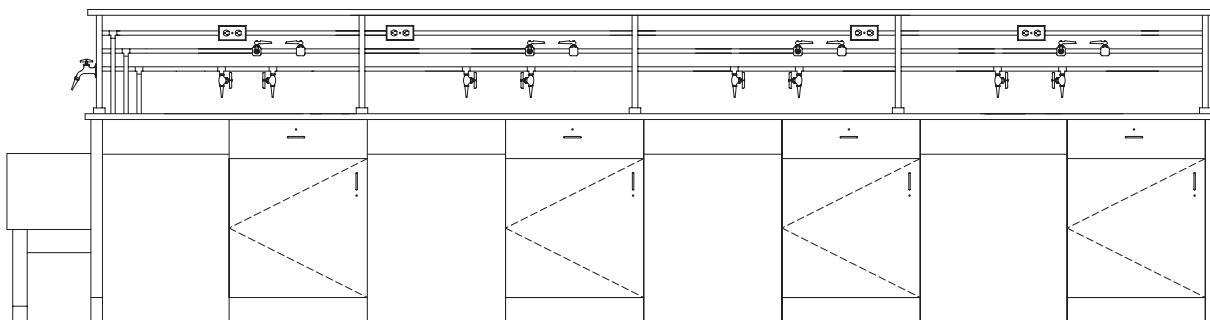
Lab Benches



DOUBLE SIDED ISLAND LAB CENTER WITH KNEE SPACE - Designed for eight people. 1" flat epoxy resin countertop (no trough sink). Includes three A-way gas cocks, three double sided electrical pedestals with one duplex 110-V AC outlet each side, one cold water deck mounted gooseneck fixture and one end sink. Reagent shelf 3/4" phenolic resin. Substitute base cabinets with any 24" x 22"D base cabinet. End sink 22"L x 13½"W x 12½"D.

LRB-230-M

W	16' - 0" not including end sink / 14' - 9" with reagent shelf
H	36 to countertop / 54 with reagent shelf
D	54 countertop / 12 with reagent shelf



DOUBLE SIDED ISLAND LAB CENTER WITH KNEE SPACE - Designed for eight people laboratory center. Each person has individual storage at his lab station. 1" epoxy resin countertop with trough sink running the entire length of the assembly draining into the end sink. Reagent shelving is 3/4" phenolic resin. Includes eight cold water cocks, eight single gas cocks, 8 duplex 110-V AC electrical outlets and one cold water bibb cock at end sink. Service piping and wiring in reagent rack not included. Substitute base cabinets with any 24"W x 22"D base cabinets. End sink 22"L x 13½"W x 12½"D.

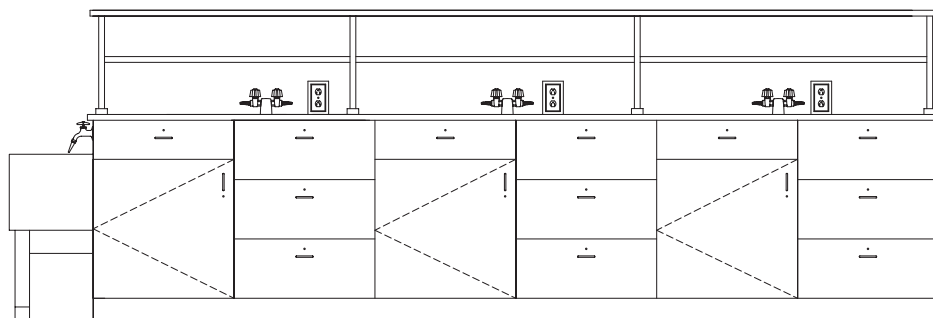
LRB-240A-M

W	16' - 0" not including end sink / 15' - 9" with reagent shelf
H	36 to countertop / 54 with reagent shelf
D	54 countertop / 12 with reagent shelf

Combination options, sizes and lengths can be customized to fit your requirements.

Assemblies

Lab Benches



DOUBLE SIDED ISLAND LAB CENTER WITHOUT KNEE SPACE - Designed for eight to twelve people. 1" flat epoxy resin countertop (no trough sink). Includes three 4-way gas cocks, three double sided electrical pedestals with one duplex 110-V AC outlet each side, one cold water deck mounted gooseneck fixture and one end sink. Reagent shelf 3/4" phenolic resin. Substitute any base cabinets totaling 12' - 0" long. End sink 22"L x 13½"W x 12½"D.

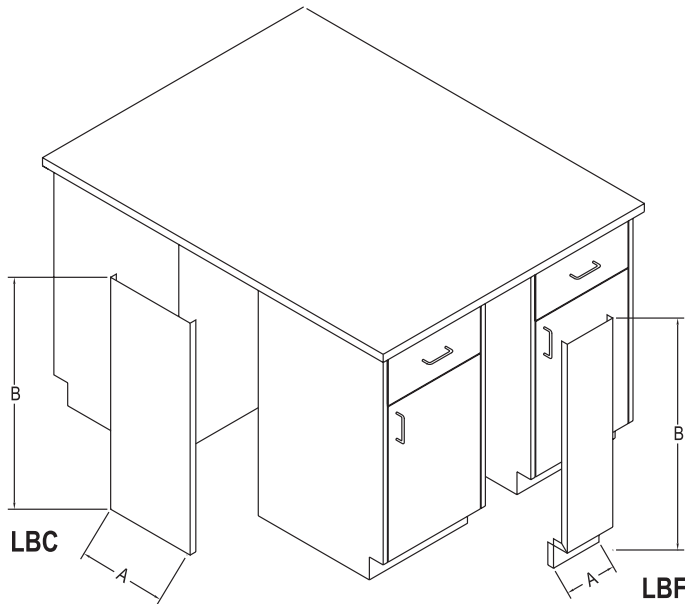
LRB-450-M

W	12' - 2" not including end sink / 10' - 9" with reagent shelf
H	36 to countertop / 54 with reagent shelf
D	54 countertop / 12 with reagent shelf

Combination options, sizes and lengths can be customized to fit your requirements.

Assemblies

LABSCAPE Fillers and Scribes



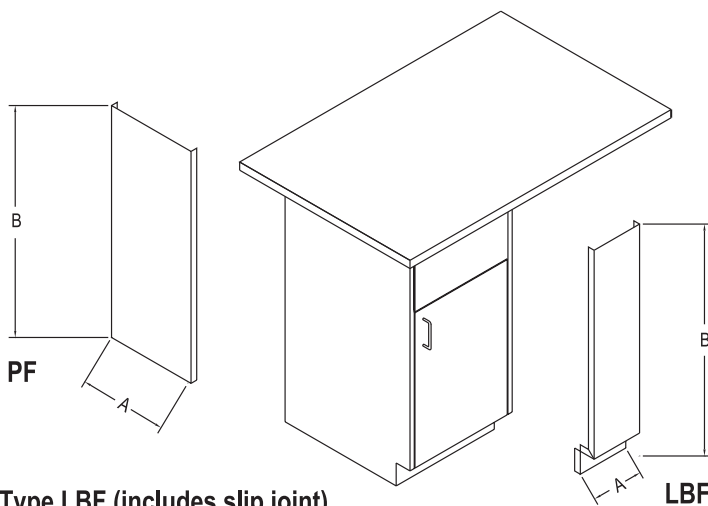
Type BC

Model	A	B
LBC0230	2"	29.375"
LBC0830	8"	29.375"
LBC1430	14"	29.375"
LBC0236	2"	35.375"
LBC0836	8"	35.375"
LBC1436	14"	35.375"

Type LPF (includes slip joint)

Model	A	B	Model	A	B
*LPF0130	1"	29.375"	*LPF0136	1"	35.375"
LPF0730	7"	29.375"	LPF0736	7"	35.375"
LPF0830	8"	29.375"	LPF0836	8"	35.375"

*Supplied without slip joint.



Type LBF (includes slip joint)

Model	A	B	Model	A	B
LBF0330	3"	29.375"	LBF0336	3"	35.375"
LBF0630	6"	29.375"	LBF0636	6"	35.375"
LBF1430	14"	29.375"	LBF1436	14"	35.375"

**Note: All oversize fillers to be cut to size in field.

LCF0101 Corner Fill with toe space

This filler is to be used where a filler is required in a base cabinet corner assembly.

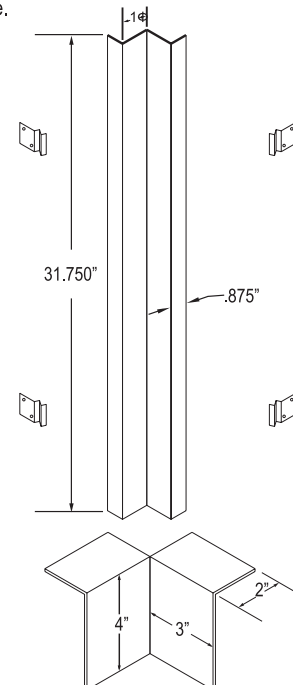
Filler attached with self drilling screws. (6 per filler)

Filler to be 22 gauge.

Slot to be cut in field and toe space to be bent 90 degrees to fill in toe kick.

For sitting height assemblies filler must be cut to proper height in field.

Note: CF0101 includes toe space.

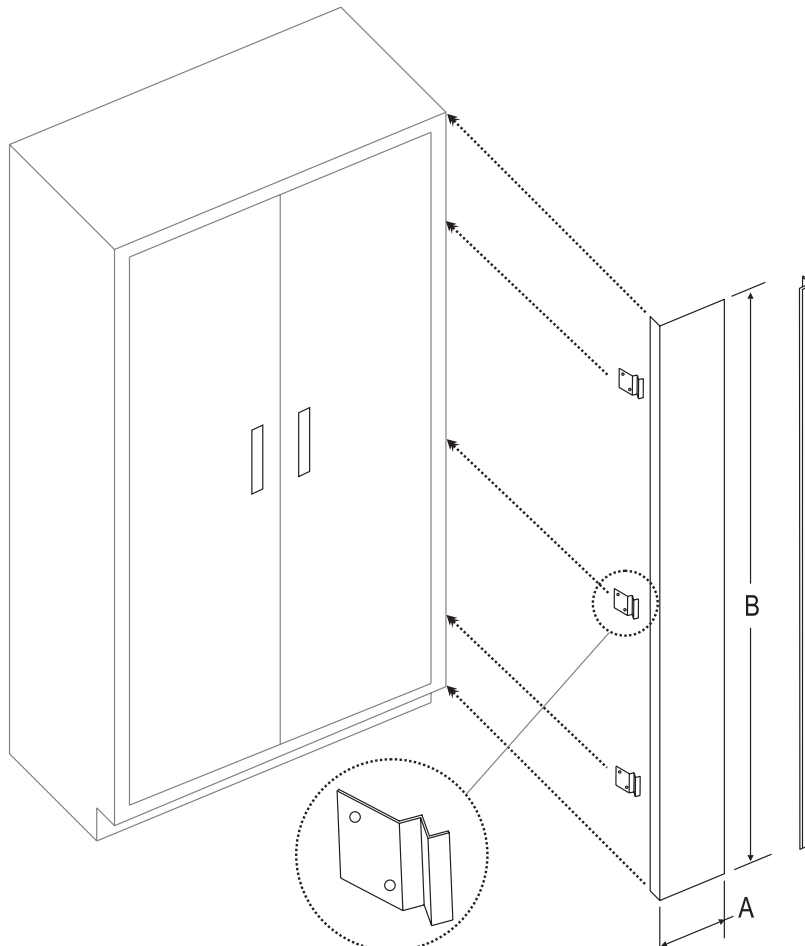
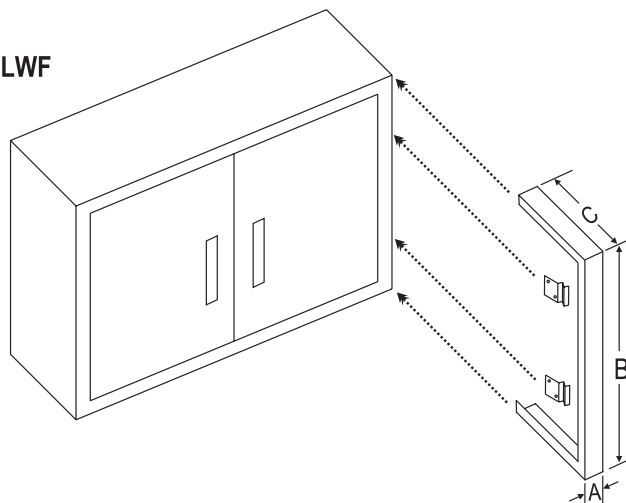


Assemblies

LABSCAPE Fillers and Scribes

Model	A	B	C
LWF01LA	1"	30"	13"
LWF01LB	1"	30"	16"
LWF01MA	1"	36"	13"
LWF01MB	1"	36"	16"
LWF01HA	1"	48.250"	13"
LWF01HB	1"	48.250"	16"
LWF03LA	1"	30"	13"
LWF03LB	1"	30"	16"
LWF03MA	3"	36"	13"
LWF03MB	3"	36"	16"
LWF03HA	3"	48.250"	13"
LWF03HB	3"	48.250"	16"
LWF06LA	6"	30"	13"
LWF06LB	6"	30"	16"
LWF06MA	6"	36"	13"
LWF06MB	6"	36"	16"
LWF06HA	6"	48.250"	13"
LWF06HB	6"	48.250"	16"
LWF13LA	13"	30"	13"
LWF13LB	13"	30"	16"
LWF13MA	13"	36"	13"
LWF13MB	13"	36"	16"
LWF13HA	13"	48.250"	13"
LWF13HB	13"	48.250"	16"

Type LWF



Type LHF

Model	A	B
LHF0184	1"	84"
LHF0384	3"	84"
LHF0684	6"	84"

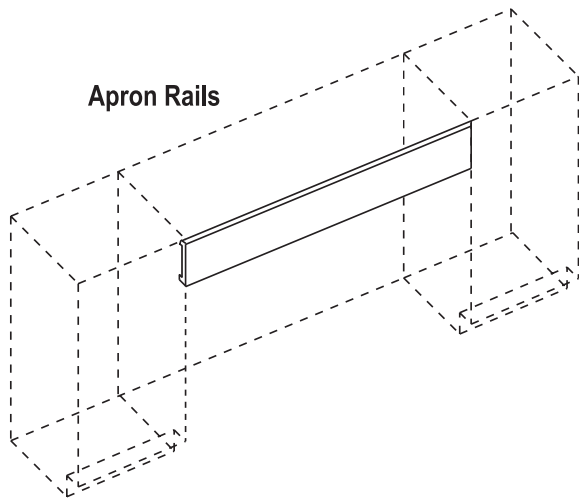
Slip joint included with 3" & 6" filler.

***Note: All over size fillers to be cut to size in field.**

Assemblies

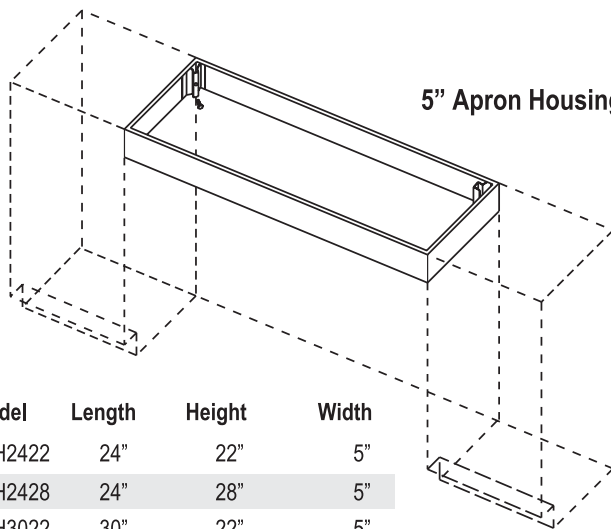
Miscellaneous

Apron Rails



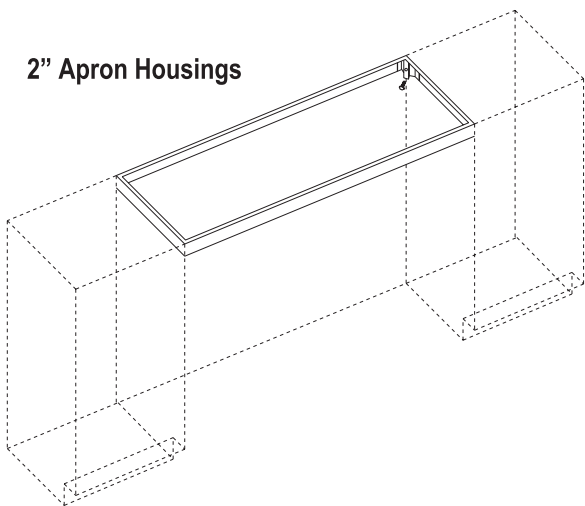
Model	Length
LAR0524	24"
LAR0530	30"
LAR0536	36"
LAR0542	42"
LAR0548	48"

5" Apron Housings



Model	Length	Height	Width
LAH2422	24"	22"	5"
LAH2428	24"	28"	5"
LAH3022	30"	22"	5"
LAH3028	30"	28"	5"
LAH3622	36"	22"	5"
LAH3628	36"	28"	5"
LAH4822	48"	22"	5"
LAH4828	48"	28"	5"

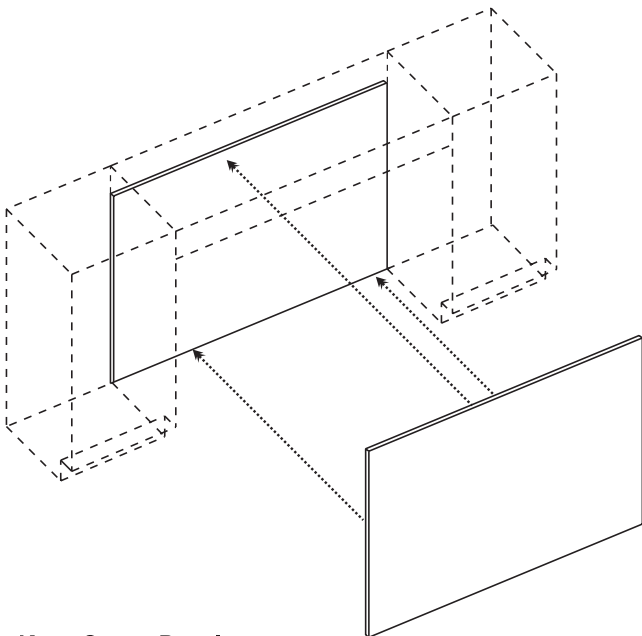
2" Apron Housings



Model	Length	Height	Width
LKA2422	24"	22"	2"
LKA2428	24"	28"	2"
LKA3022	30"	22"	2"
LKA3028	30"	28"	2"
LKA3622	36"	22"	2"
LKA3628	36"	28"	2"
LKA4822	48"	22"	2"
LKA4828	48"	28"	2"

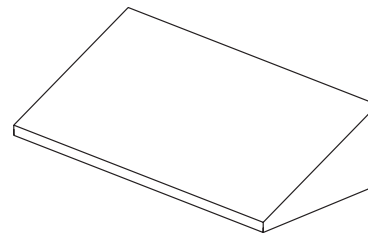
Assemblies

Miscellaneous



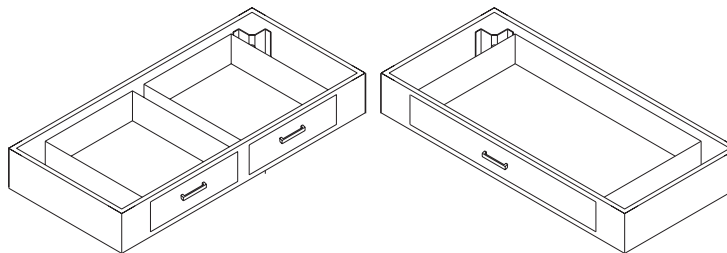
Knee Space Panel

	Low	High
24"	LKP2429	LKP2436
30"	LKP3029	LKP3036
36"	LKP3629	LKP3636
48"	LKP4829	LKP4836
58"	LKP5829	LKP5836
72"	LKP7229	LKP7236



Sloping Tops

Model	Width	Depth
SL1813	18"	13"
LSL1818	18"	18"
LSL1823	18"	23"
LSL2413	24"	13"
LSL2418	24"	18"
LSL2423	24"	23"
LSL3013	30"	13"
LSL3018	30"	18"
LSL3023	30"	23"
LSL3613	36"	13"
LSL3618	36"	18"
LSL3623	36"	23"
LSL4813	48"	13"
LSL4818	48"	18"
LSL4823	48"	23"



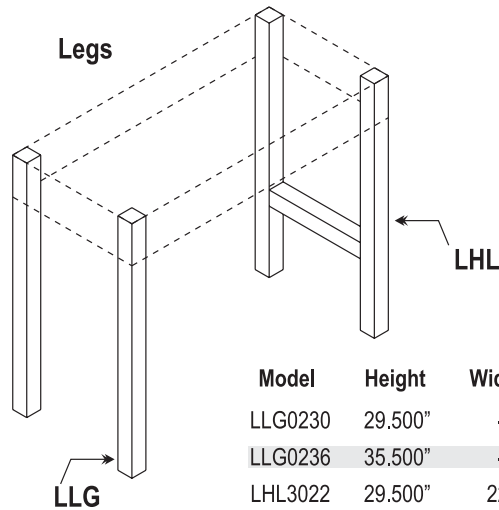
Drawer Housings

Model	Length	Width	Height	Drw
LDH2422	24"	22"	5"	1
LDH3022	30"	22"	5"	1
LDH3622	36"	22"	5"	1
LDH4822	48"	22"	5"	2
LDH5822	58"	22"	5"	2

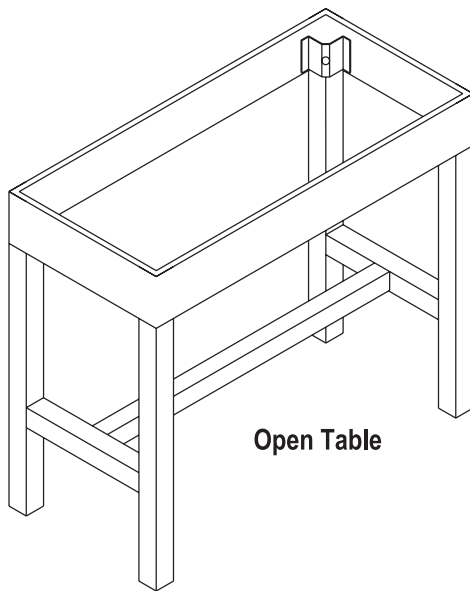
Note: 28" wide housing available.

Assemblies

Miscellaneous

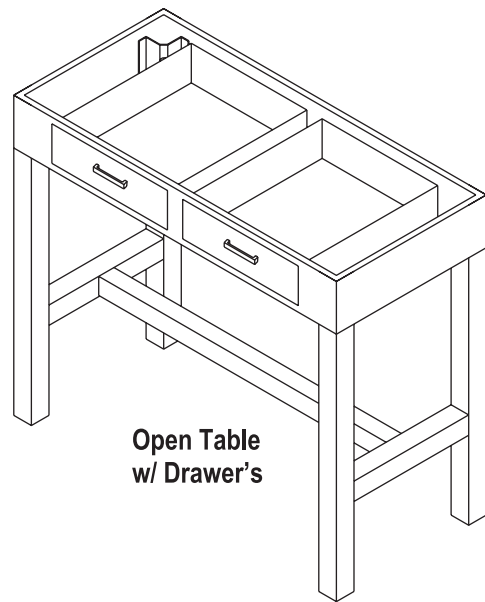


Model	Height	Width
LLG0230	29.500"	-
LLG0236	35.500"	-
LHL3022	29.500"	22"
LHL3622	35.500"	28"
LHL3028	29.500"	22"
LHL3628	35.500"	28"



Open Table

Model	Length	Width	Height
LTL4430	42"	22"	29.500"
LTL4436	42"	22"	35.500"
LTL5030	48"	22"	29.500"
LTL5036	48"	22"	35.500"
LTL6030	58"	22"	29.500"
LTL6036	58"	22"	35.500"
LTL7430	72"	22"	29.500"
LTL7436	72"	22"	35.500"

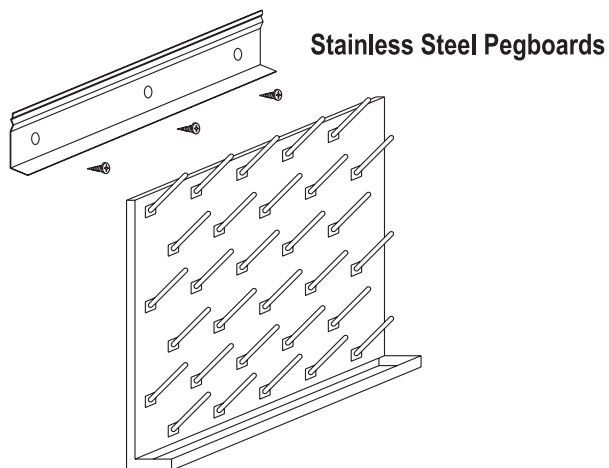


**Open Table
w/ Drawer's**

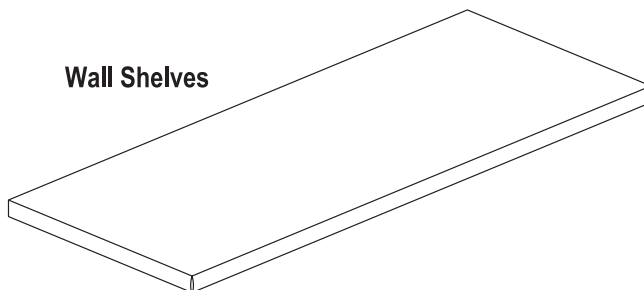
Model	Length	Width	Height
LTD4430	42"	22"	29.500"
LTD4436	42"	22"	35.500"
LTD5030	48"	22"	29.500"
LTD5036	48"	22"	35.500"
LTD6030	58"	22"	29.500"
LTD6036	58"	22"	35.500"
LTD7430	72"	22"	29.500"
LTD7436	72"	22"	35.500"

Assemblies

Miscellaneous



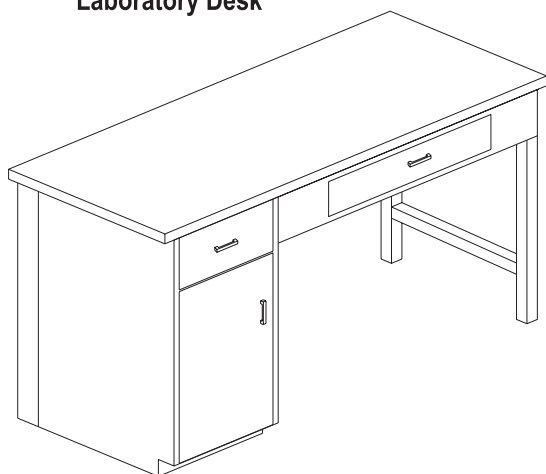
Model	W x H
LBV1824	18" x 24"
LBV2424	24" x 24"
LBV2430	24" x 30"
LBV3030	30" x 30"
LBV3524	35" x 24"
LBV4824	48" x 24"



Catalog No.	Size	Brackets
LWS2412	24" x 12"	2
LWS3612	36" x 12"	2
LWS4812	48" x 12"	2
LWS5812	58" x 12"	3

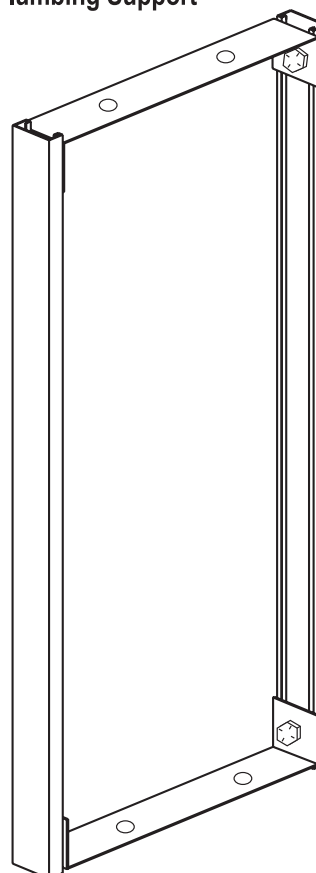
See Additional

Laboratory Desk



Model	Length	Width	Height
LLD9110	50"	30"	27"

Pipe Space Plumbing Support



Varios sizes available upon request.