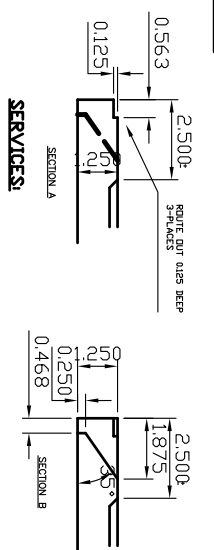
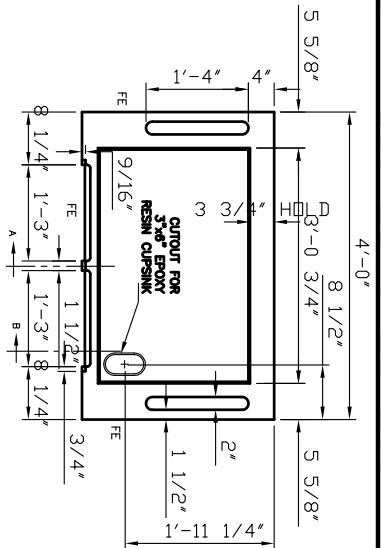
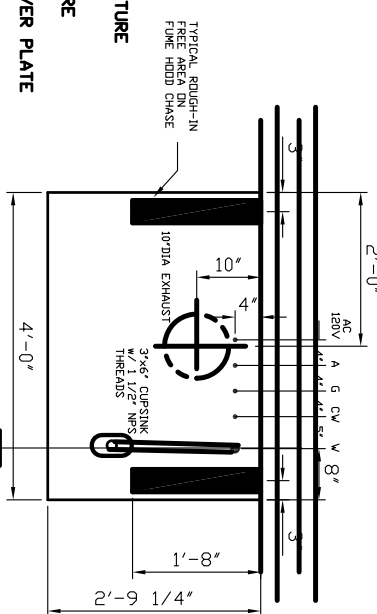


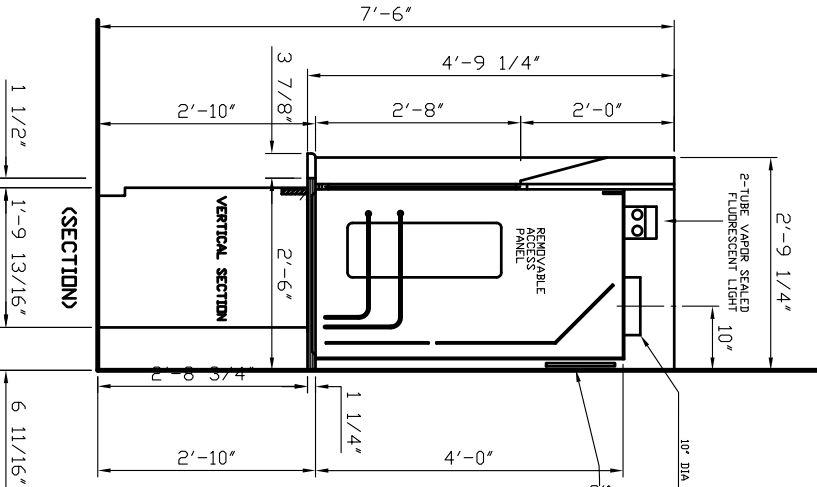
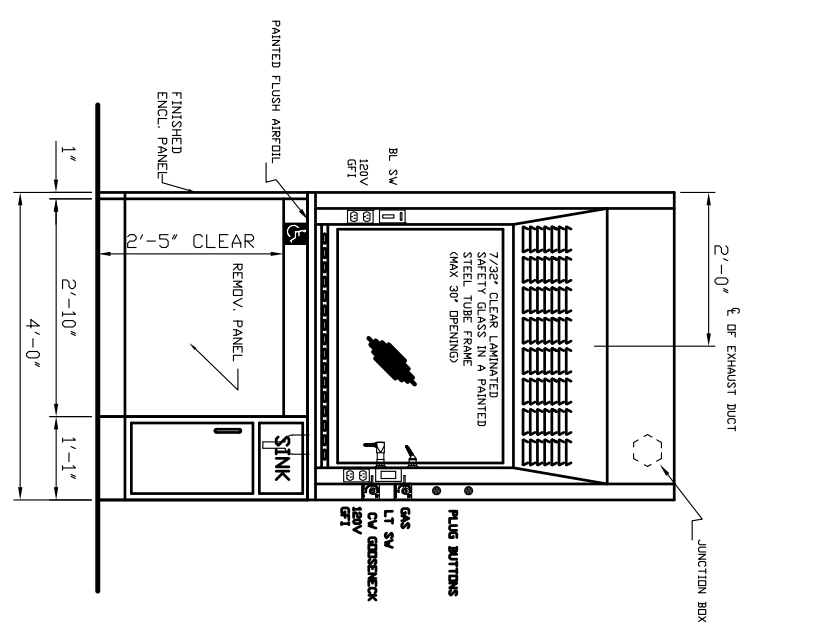
1 1/4' DISHED SHELRESIN TOP



- SERVICES:**
- (1) L428VB-5-CT REMOTE CONTROL CV VALVE WITH GUIDE PLATE D, ROD AND PANEL MOUNTED WATER FIXTURE
 - (1) L4285GB-LR-CT REMOTE CONTROL GAS VALVE WITH GUIDE PLATE D, ROD AND PANEL MOUNTED GAS FIXTURE
 - (2) 85101-GFI 120V-A.C. DUPLEX OUTLET W/84401-40 COVER PLATE
 - (2) 85106 120V-A.C. SING. POLE SW W/84001-40 COVER PLATE
 - (1) TS04 SHELRESIN CUP SINK 27" X 57"



SUGGESTED ROUGH-IN



ELEVATION LEVEL 1 (1) REQUIRED

GENERAL NOTES:

1. FUME HOOD LINER IS PHENOLIC RESIN. T AND EXTERIOR IS STEEL FINISHED TWILIGHT EPOXY UNLESS OTHERWISE NOTED.
2. ALL FIXTURES EXPOSED TO INTERIOR OF HOOD ARE TO BE COATED WITH EPOXY FINISH TO MATCH SERVICE.
3. SHELTON RECOMMENDS THIS HOOD TO OPERATE AT AN AVERAGE OF 833 CFM AT 100 FEET PER MINUTE.
4. FUME HOOD NO. 92204ADA-E48 GENERATES 25 STATIC PRESSURE AT THE DUCT COLLAR.
5. BLOWER BY OTHERS