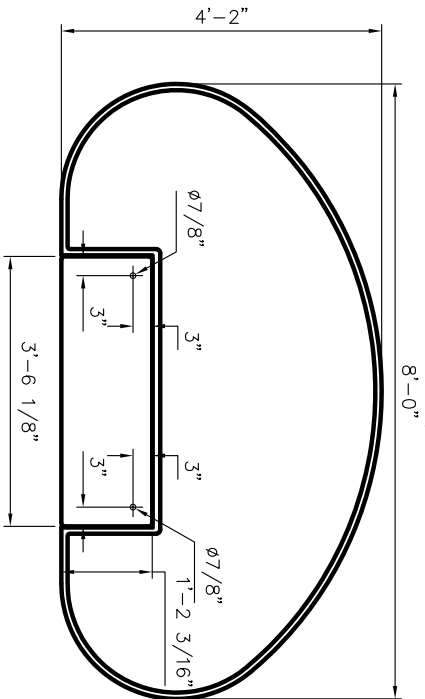
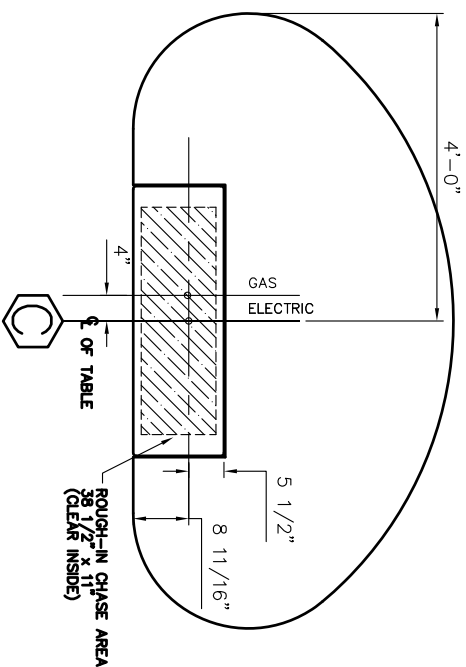


1" MOLDED SHELRESIN TOP W/CONTURA CONTROL EDGE

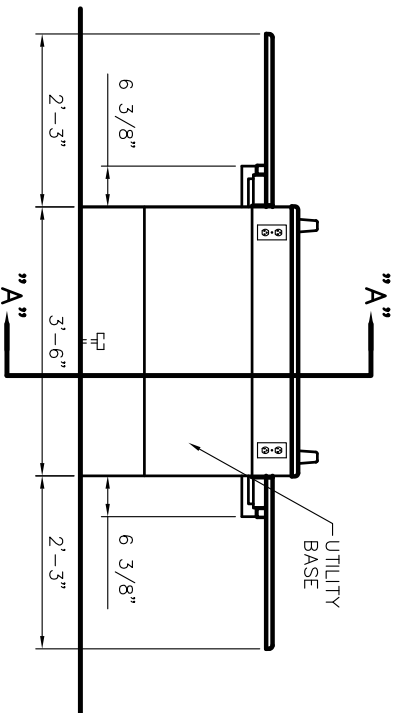


- SERVICES:
- (1) #85201 QUAD OUTLET (MOUNTED INSIDE)
 - (2) #85101-GFI DUPLEX ELECTRICAL RECEPTACLE
 - (2) #86375 UPRIGHT CLAMP ROD ASSEMBLIES
 - (2) #4200-132AWS 90 DEGREE GAS FIXTURES

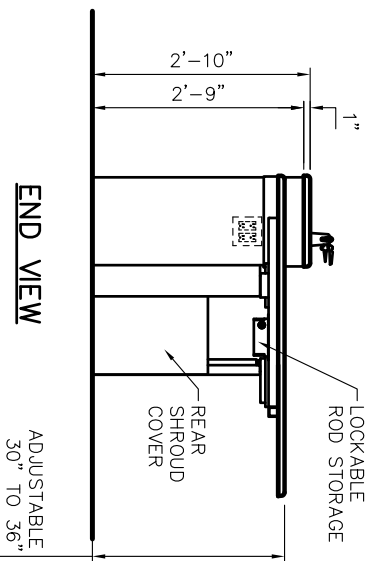


SUGGESTED ROUGH-IN DETAIL

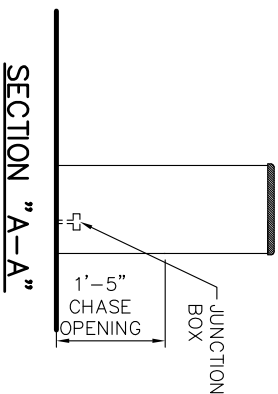
- 1) LEG SUPPORT FRAME COLOR IS BLACK ONLY.
- 2) UTILITY BASE & REAR SHROUD COVERS: STANDARD COLOR-BLACK THESE PARTS ARE AVAILABLE IN ONE OF THE FOLLOWING OPTIONAL ACCENT COLORS:
 - A. MANDARIN RED
 - B. WINEBERRY
 - C. MIDORI GREEN
 - D. ATLANTIS
- 3) NOTE: PARTS THAT ARE CUSTOM COLOR ARE PAINTED WITH POWDER COAT EPOXY FINISH TO MATCH WILSON ART LAMINATE. OPTIONAL ACCENT COLORS AVAILABLE AT ADDITIONAL COST. ALL OTHER METAL PART COLORS ARE BLACK COLOR ONLY. MOBILE STORAGE CABINETS (WHEN SPECIFIED): STORAGE CABINETS WILL BE PROVIDED IN SERIES "300" MELEMI LAMINATE WITH TWILIGHT FINISH. DRAWER FRONTS AND DOORS ARE AVAILABLE AS FOLLOWS:
 - A) SQUARE EDGE FLUSH OVERLAP OAK VENEER WITH OAK EDGE BANDING IN ONE OF SHELDON'S FOUR STANDARD OAK FINISHED.
 - B) WILSON ART PLASTIC LAMINATE WITH BLACK PVC EDGE BANDING PROVIDED IN ONE OF SHELDON'S FIFTEEN STANDARD PLASTIC LAMINATE COLORS.
 - 4) COUNTER TOPS: STANDARD COLOR - BLACK



ELEVATION 5 LEVEL 1 (6) REQUIRED



END VIEW



SECTION "A-A"