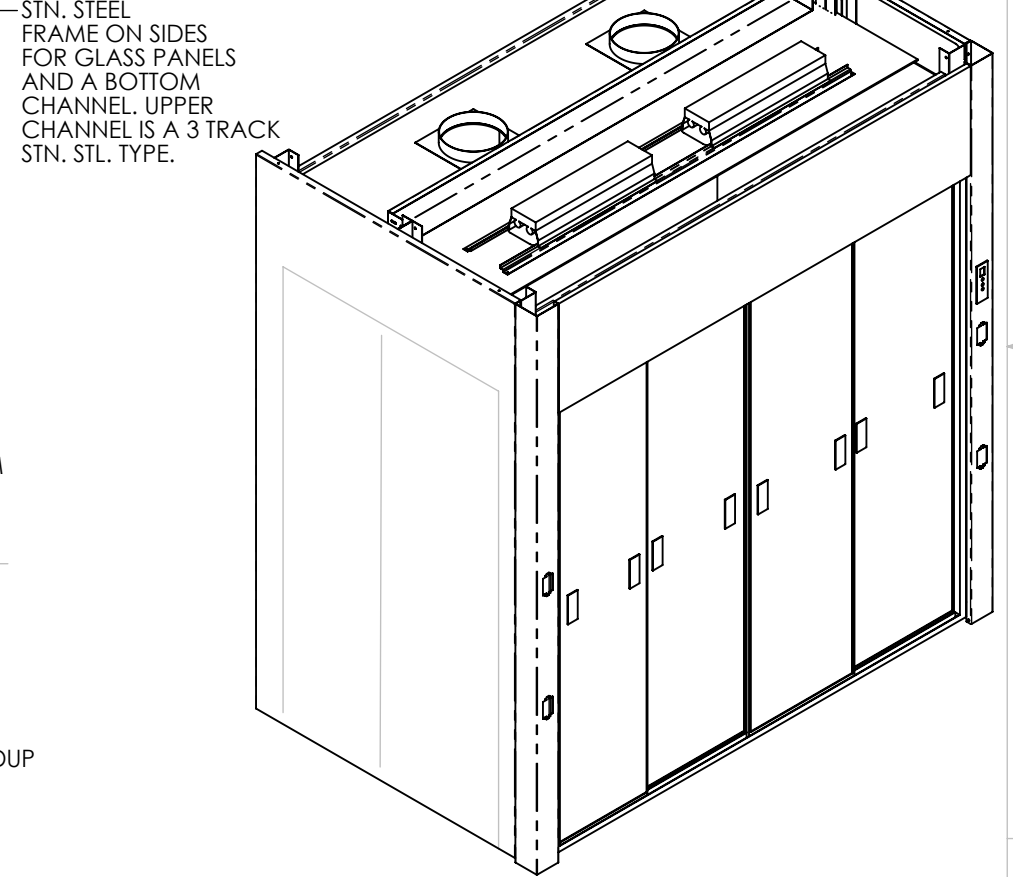
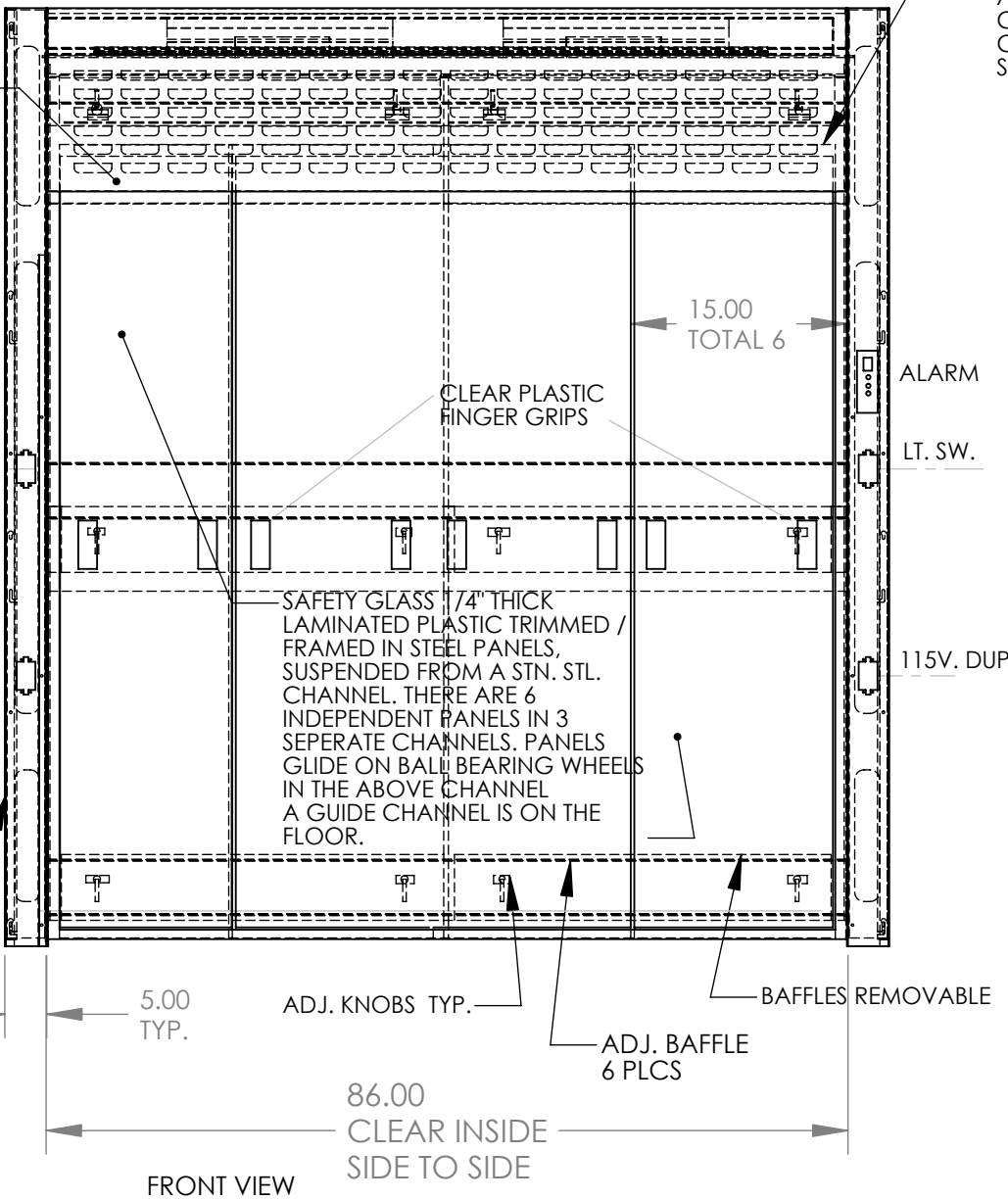
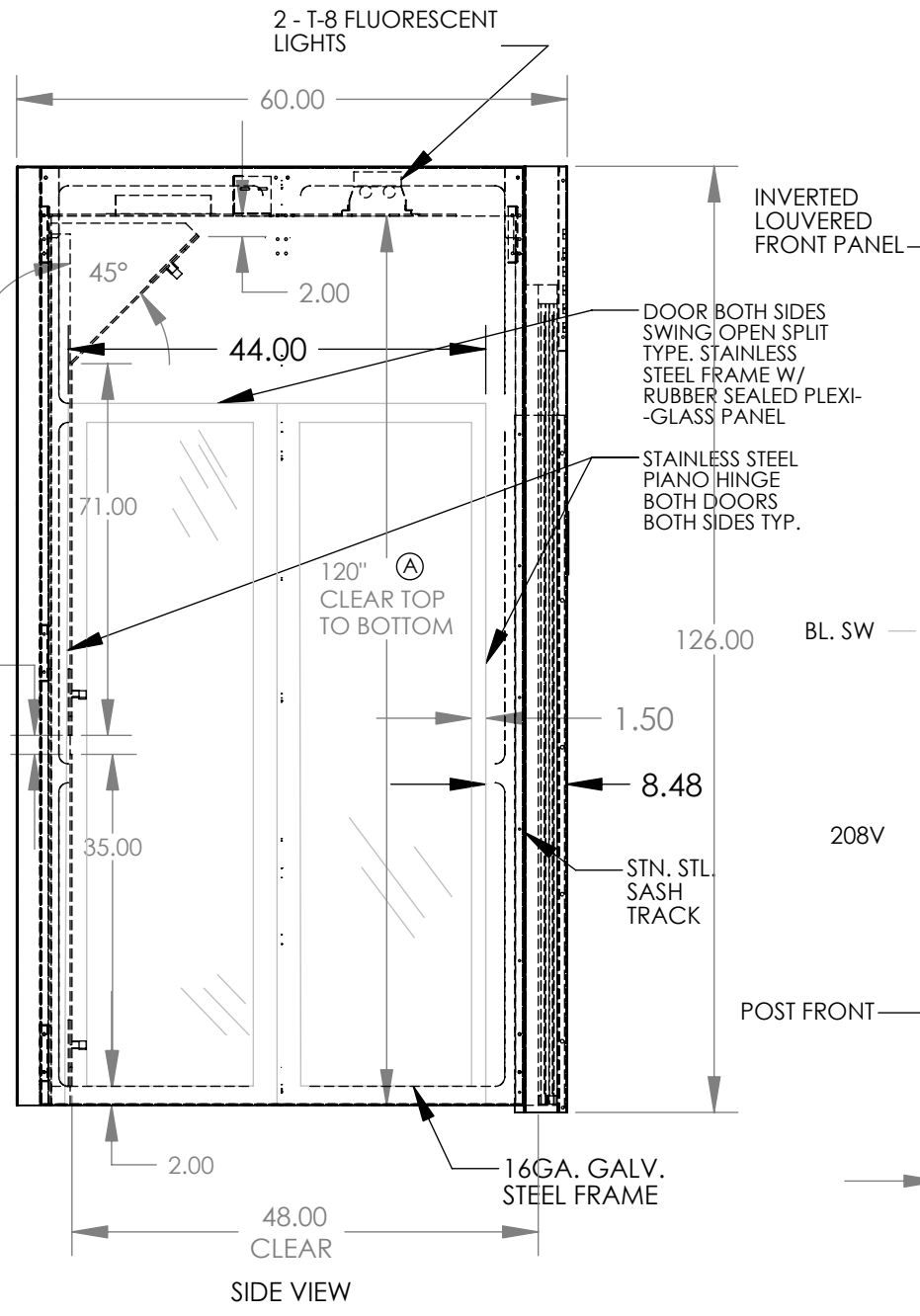
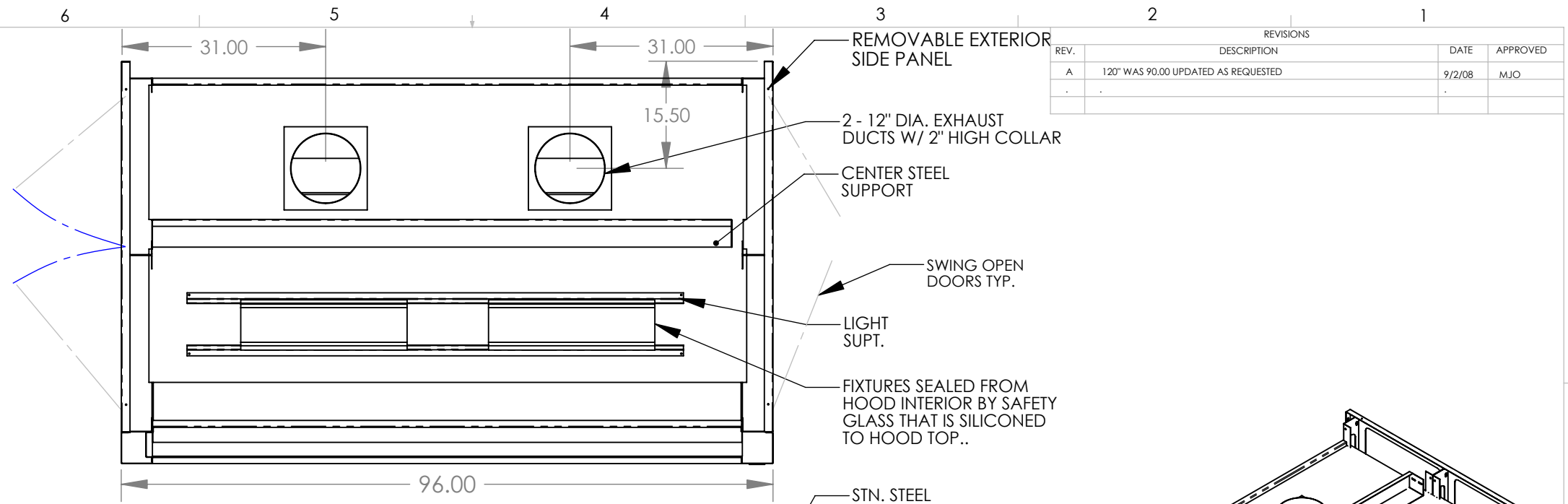


THE INFORMATION CONTAINED IN THIS DRAWING IS THE SOLE PROPERTY OF LONGO & ASSOC. ANY REPRODUCTION IN PART OR WHOLE WITHOUT THE WRITTEN PERMISSION OF LONGO & ASSOC. IS PROHIBITED.

REVISIONS			
REV.	DESCRIPTION	DATE	APPROVED
A	120" WAS 90.00 UPDATED AS REQUESTED	9/2/08	MJO

- NOTE:
- EXTERIOR- COLD ROLLED STEEL POWDER COATED WITH AN ACID RESISTANT FINISH, COLOR TO BE: TBD UNLESS ALL STAINLESS STEEL.
 - INTERIOR - WHITE POLYRESIN MATERIAL. OR TYPE 304 STAINLESS STEEL CONSTRUCTION W/ A #4 GRAINED FINISH.
 - FIXTURES - POLISHED CHROME, SUPPLIED BY: NOT REQUIRED AND INSTALLED BY:
 - ELECTRICAL- SUPPLIED BY: LONGO AND INSTALLED BY: FACTORY MOUNTED ONLY
 - ALL FINAL CONNECTIONS MADE BY RESPECTIVE TRADES.
 - THIS MODEL FUME HOOD MEETS CLASS 1 DIV. 2 REQUIREMENTS.



NO. OF PARTS REQUIRED:	--
SOURCE	--
UNLESS OTHERWISE SPECIFIED DIMENSIONS ARE IN INCHES TOLERANCES ARE:	
FRACTIONS	DECIMALS
ANGLES	
+ .XX+ .XX +_1	.XXX+.XXX
MATERIAL	--
FINISH	COLOR TBD
DO NOT SCALE DRAWING	

LONGO & ASSOCIATES

96 WI FUME HOOD - SIDE ACCESS DOORS & FRONT HORIZ. SLIDING DOORS

APPROVALS	DATE
DRAWN MJO	07/20/08
CHECKED	
RESP ENG	
MFG ENG	
QUAL ENG	

SIZE B DWG. NO. 100-096-WFH-MOD REV. A

SCALE CAD FILE: SHEET 1 OF 1