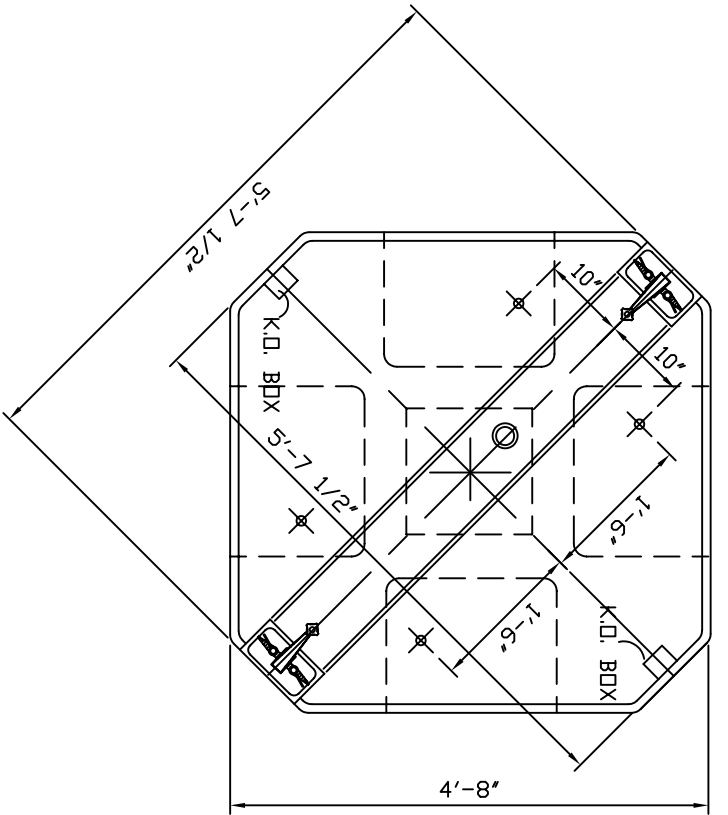
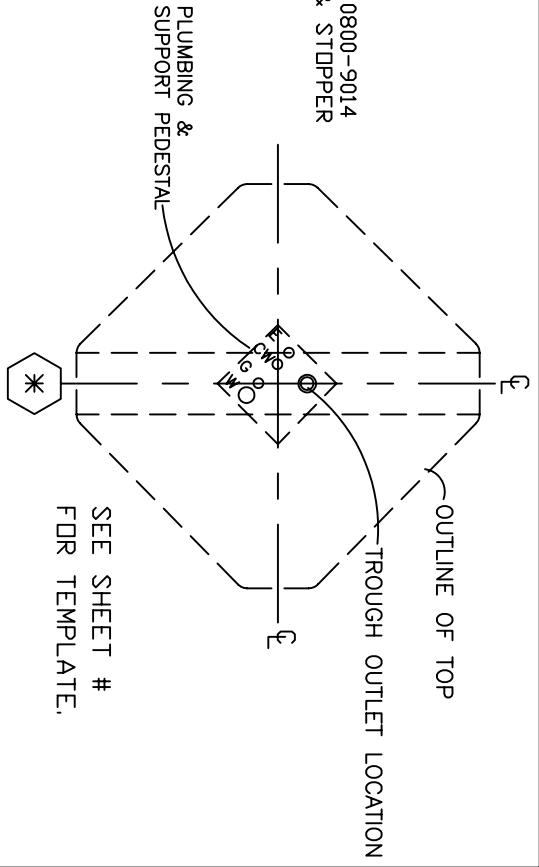


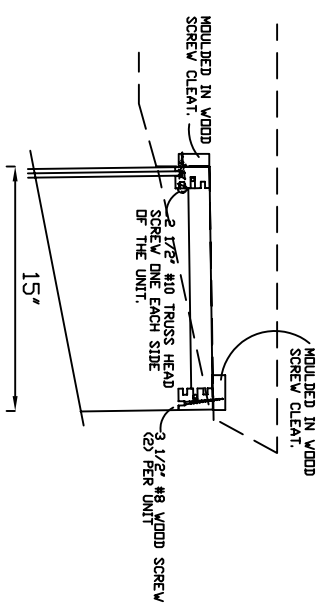
1" SHELLRESIN TOP W/RAISED EDGE



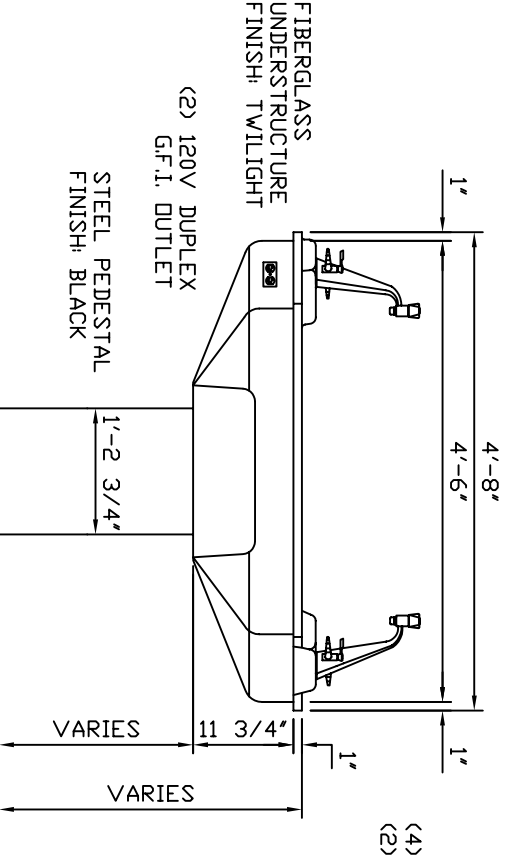
SHELLRESIN TROUGH 0800-9014
W/ 31552 OUTLET & STOPPER



SUGGESTED ROUGH-IN



TE-II CUBICAL INSTALLATION DETAIL
WHEN REQUIRED
(NOT TO SCALE) A-72029934

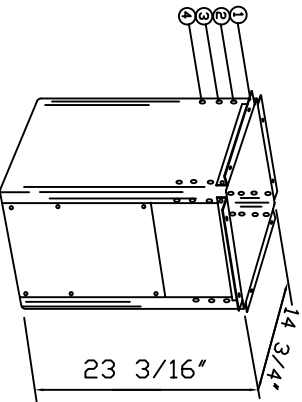


(4) 86320 ROD BASES
(2) 80020 COMBINATION CW
CW & GAS UNICAST FIXTURE

NOTE: ABOVE HEIGHTS INCLUDE TOP

TABLE OF HEIGHT ADJUSTMENTS	
① 36 3/4" ADJ. = + 37 1/8"	- 36 1/8"
② 35 3/4" ADJ. = + 36 1/8"	- 35 1/8"
③ 34 3/4" ADJ. = + 35 1/8"	- 34 1/8"
④ 33 3/4" ADJ. = + 34 1/8"	- 33 1/8"

ACCESS PANEL ON BOTH SIDES



JOB NAME

DRAWN BY
A VREHT
DATE
06/14/02

SCALE
1"=1'-0"

REVISIONS
02-18-04 LDB
P.O.#

SHEET
OF

TEII TABLE 14001