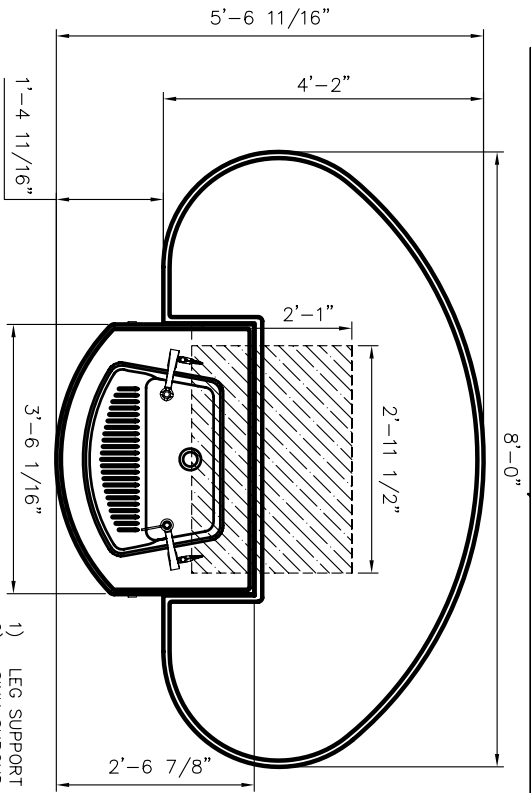


1" MOLDED SHELFRESIN TOP W/CONTURA CONTROL EDGE



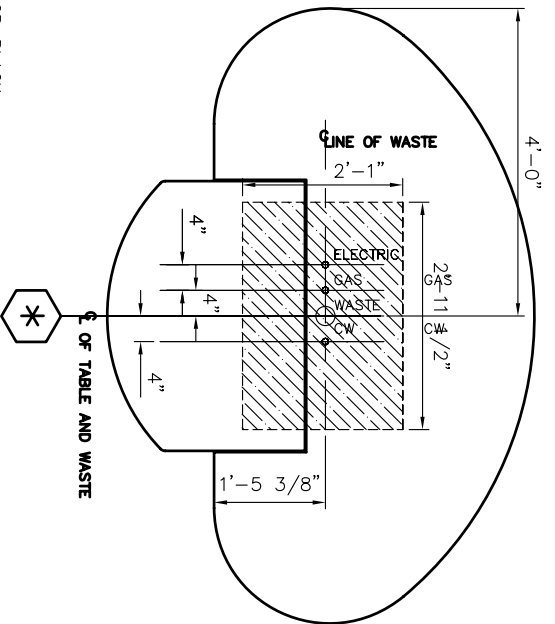
- SERVICES:**
- (1) #80020-WB-BV COLD WATER AND GAS UNICAST FIXTURE W/WRIST BLADES AND BALL COCK VALVE ANGLED ON LEFT HAND SIDE
 - (1) #80020-BV COLD WATER AND GAS UNICAST FIXTURE WITH BALL COCK VALVE ANGLED ON RIGHT HAND SIDE AND INFINITY SINK W/ OUTLET AND STOPPER
 - (2) #85101 GFIC DUPLEX GFIC OUTLET
 - (1) #85201 QUAD OUTLET (MOUNTED INSIDE)
 - (2) #86375 UPRIGHT CLAMP ROD ASSEMBLES

- 1) LEG SUPPORT FRAME IS COLOR BLACK ONLY.
- 2) SINK SHROUD, SINK BASE & REAR SHROUD COVER: STANDARD COLOR-BLACK THESE PARTS ARE AVAILABLE IN ONE OF THE FOLLOWING OPTIONAL ACCENT COLORS:

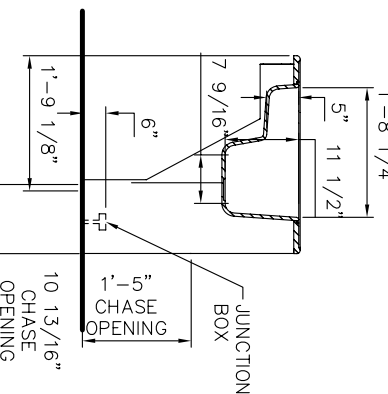
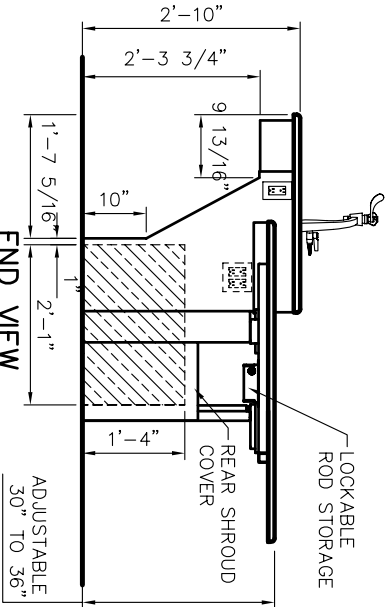
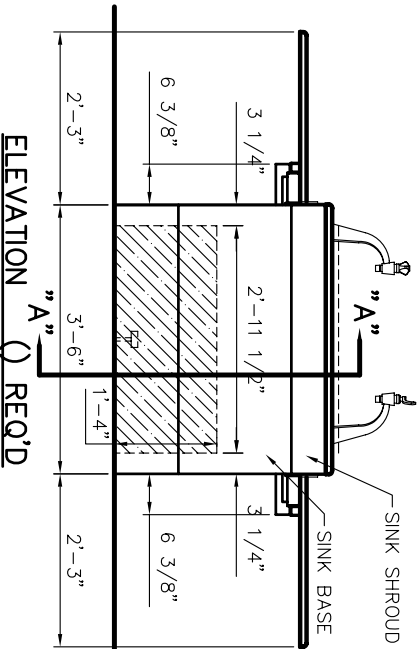
- A. MANDARIN RED
- B. WINEBERRY
- C. MIDORI GREEN
- D. ATLANTS

- NOTE: PARTS THAT ARE CUSTOM COLOR ARE PAINTED WITH POWDER COAT EPOXY FINISH TO MATCH WILSON ART LAMINATE. OPTIONAL ACCENT COLORS AVAILABLE AT ADDITIONAL COST.
- 3) ALL OTHER METAL PARTS ARE BLACK COLOR ONLY. MOBILE STORAGE CABINETS (WHEN SPECIFIED); STORAGE CABINETS WILL BE PROVIDED IN SERIES "300" MELEMIANE LAMINATE WITH TWILIGHT FINISH. DRAWER FRONTS AND DOORS ARE AVAILABLE AS FOLLOWS:
 - A) SQUARE EDGE FLUSH OVERLAP OAK VENEER WITH OAK EDGE BANDING IN ONE OF SHELDON'S FOUR STANDARD OAK FINISHES.
 - B) WILSON ART PLASTIC LAMINATE WITH BLACK PVC EDGE BANDING PROVIDED IN ONE OF SHELDON'S FIFTEEN STANDARD PLASTIC LAMINATE COLORS.

- 4) COUNTER TOP AND SINK: STANDARD COLOR - BLACK
- 5) SERVICE FIXTURE: UNIT COMES STANDARD WITH UNICAST COLD WATER/GAS COMBINATION FIXTURE. UNIMIX HOT AND COLD WATER/GAS COMBINATION AVAILABLE AT AN ADDITIONAL COST. STANDARD COLOR WILL BE BLACK.



SUGGESTED ROUGH-IN DETAIL



NOTE:
ELECTRIC, JUNCTION BOX IN CHASE AREA, WIRING, CONDUIT AND FINAL CONNECTIONS ARE TO BE PROVIDED BY ELECTRICAL CONTRACTOR. ELECTRICAL CONTRACTOR TO MAKE CONNECTIONS IN THE FOLLOWING ORDER:
1) CONNECTION FROM JUNCTION BOX TO BOTH GFIC DUPLEXES MOUNTED ON THE SIDE PANELS IN BASE.
2) THEN PROVIDE A CONNECTION FROM THE GFIC DUPLEX TO QUAD OUTLET MOUNTED INSIDE WALL OF THE BASE.