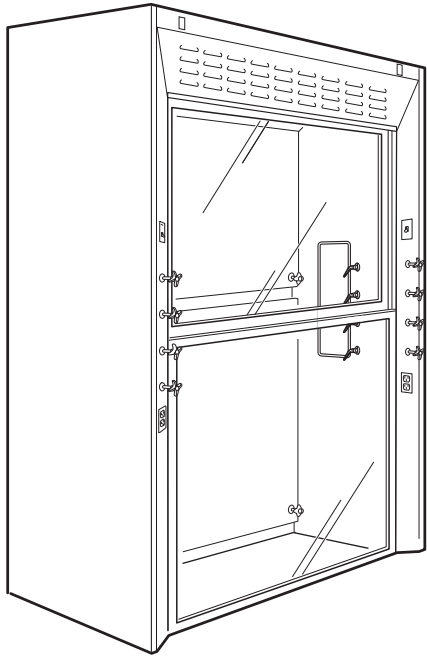
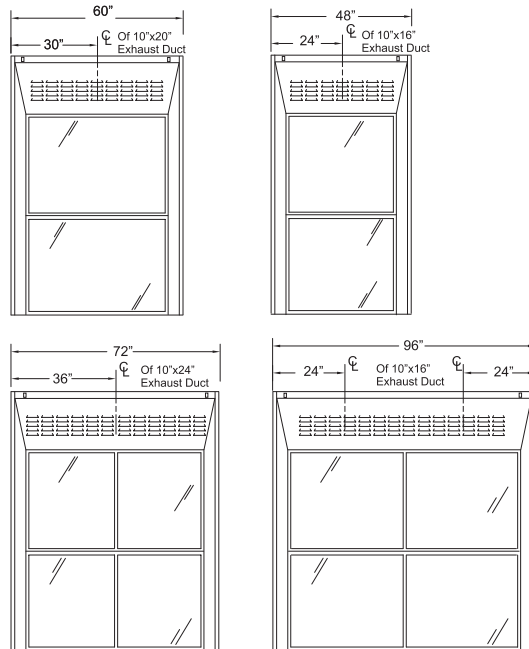


LABSCAPE Walk-In



The Walk-In conventional bypass hood accommodates extensive apparatus setups, allowing special equipment



Standard Design

Air Management: Constant exhaust volume, drawing air efficiently through the sash when open or through the bypass opening when sash is closed Walk-In model has two sashes which can be positioned to completely open or close the hood or create a partial opening at any height. A lower baffle with bottom adjustment controls exhaust air at top, bottom or center of hood.

Superstructure: Outer wall is chemically resistant powder coated sheet steel. Interior lining is a phenolic sheet material unless otherwise specified. Walk-In model has no bottom horizontal airfoil and no floor. Double wall construction offers a 5 3/4" chase area, making it easy to install plumbing and electrical fixtures within walls, at the same height as a counter-top hood.

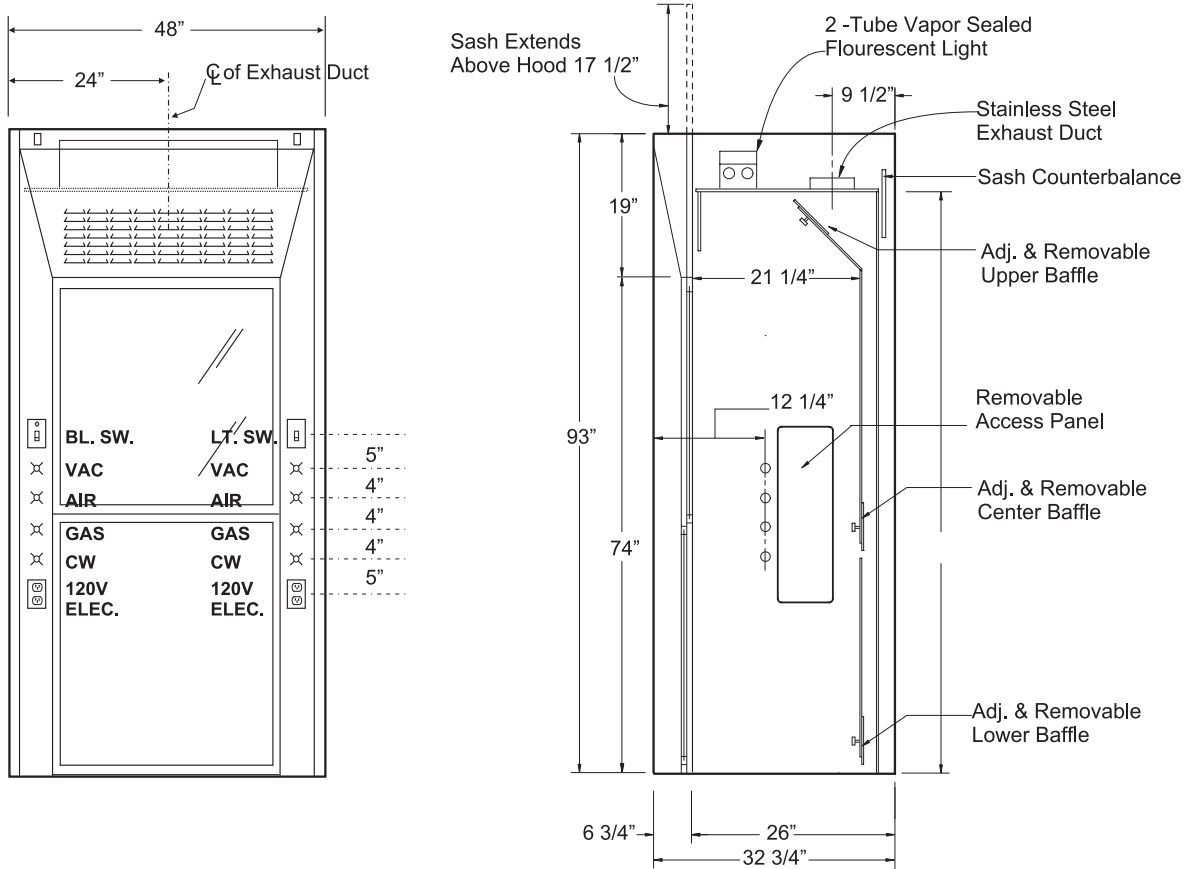
Standard Features

- Fluorescent light fixture (bulbs included) accessed from outside the air chamber
- Stainless steel sash interiors
- Louvered front panel
- VAV styles hoods have restricted bypass

Options

- Liner options
- Sash options
- Plumbing
- Electrical
- Blowers
- Other options

LABSCAPE Walk-In



Model	CFM at 100LFM	S.P. at Hood	Duct Size Standard
L48MWI	912	.23 inches	10" x 16"
L60MWI	1195	.25 inches	10" x 20"
L72MWI	1503	.25 inches	10" x 24"
L96MWI	2120	.27 inches	(2) 10" x 16"

****The above listed measurements are calculated with the sash opening at 1/2 ****