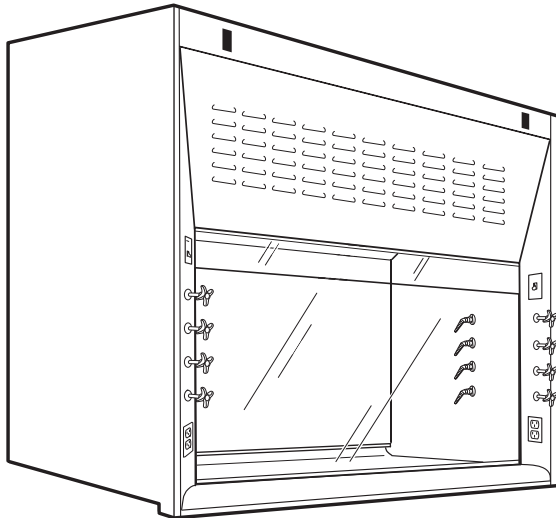


## LABSCAPE Perchloric



The Perchloric conventional bypass hood has an interior built specifically for working with perchloric acid.

### Standard Design

**Air Management:** Constant exhaust volume, drawing air efficiently through the sash when open or through the bypass opening when sash is closed.

**Superstructure:** Outer wall is chemically resistant powder coated sheet steel. Double wall construction offers a 5" chase area, making it easy to install plumbing and electrical fixtures within walls. Fixed view panel maximizes visibility.

**Interior:** Lining is solid welded type 316 stainless steel No. 4 finish. The integrated work top is dished 1/4" with a full width drain trough at the back. The trough slopes from 3" deep on the high side to 4" deep on the low side, with a 1-1/2" drain outlet. The wash down system consists of a perforated pipe behind the upper baffle with remote control in the front post.

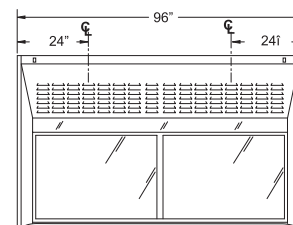
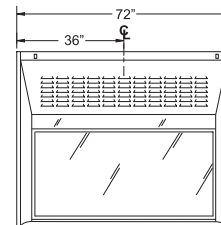
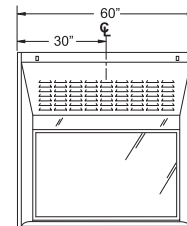
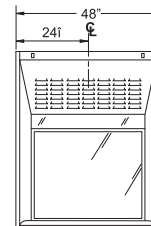
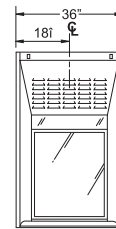
**Airfoil:** Front opening is framed with a 45° angle fascia that substantially reduces the turbulence of air entering the hood. The bottom horizontal airfoil directs a current of air at counter top level to purge heavy fumes or spillage.

### Standard Features

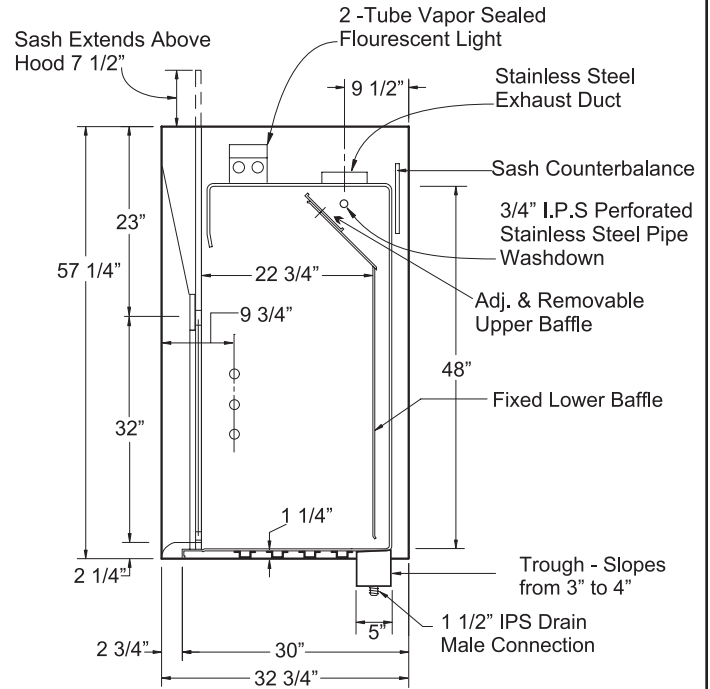
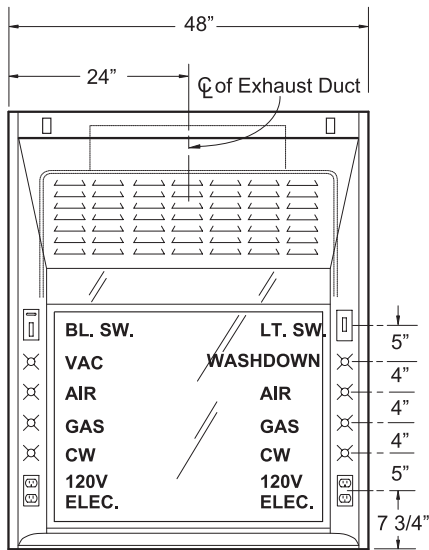
- Fluorescent light fixture (bulbs included) accessed from outside the air chamber
- Stainless steel airfoil
- Stainless steel sash interiors
- Louvered front panel
- VAV styles hoods have restricted bypass

### Options

- Sash options
- Plumbing
- Electrical
- Blowers
- Other options



## LABSCAPE Perchloric



Model	CFM at 100LFM	S.P. at Hood	Duct Size Standard	Duct Size Optional
L36MP	540	.25 inches	8 inches	8" x 10"
L48MP	770	.33 inches	9 inches	8" x 12"
L60MP	1000	.34 inches	10 inches	8" x 16"
L72MP	1250	.34 inches	10 inches	8" x 20"
L96MP	1750	.40 inches	(2) 9 inch ducts	(2) 8" x 12"