

## LABSCAPE Double Sided Air Foil

The Double Sided Air Foil conventional bypass hood safely exhausts fumes while allowing access and observation from both sides. Ideal for teacher/student interaction and prep-room or class-room applications.

### Standard Design

**Air Management:** Constant exhaust Volume, drawing air efficiency through either or both open sashes or through the bypass opening when sash is closed.

**Superstructure:** Outer wall is chemically resistant powder coated sheet steel. Interior lining is a phenolic sheet material unless otherwise specified. Double sidewall construction offers a 5" chase area, making it easy to install plumbing and electrical fixtures within walls.

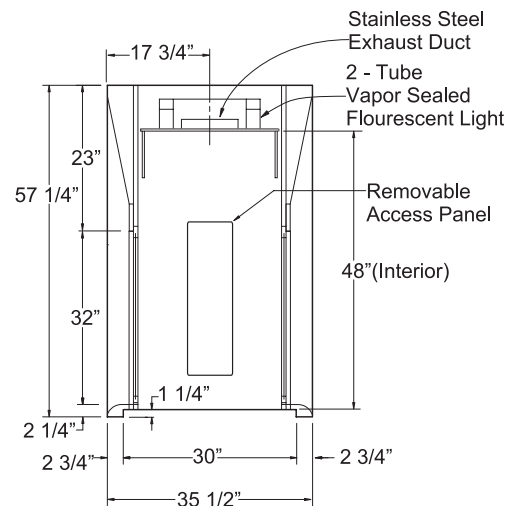
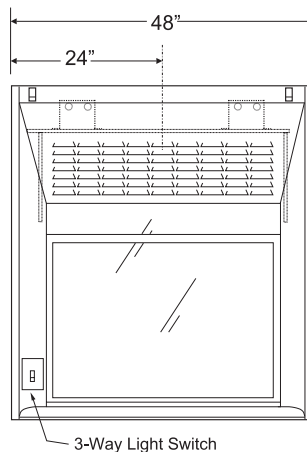
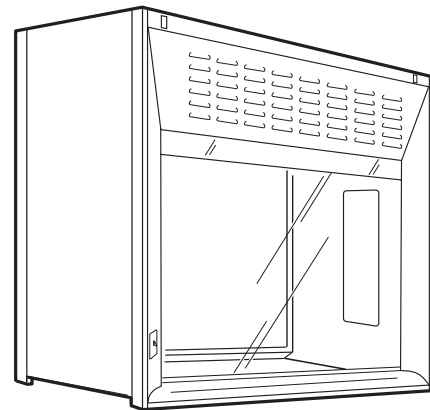
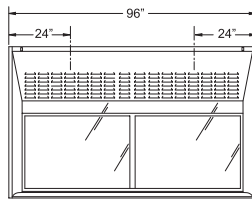
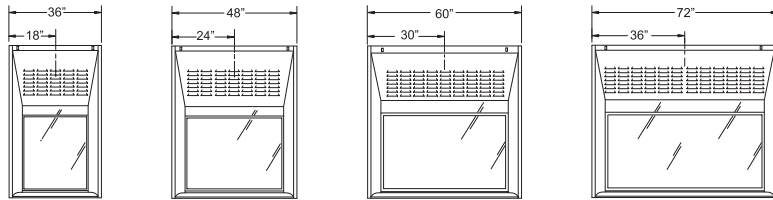
**Airfoil:** Front and back openings are framed with 45° angle fascia that substantially reduces the turbulence of air entering the hood. The bottom horizontal airfoil directs a current of air at counter top level to purge heavy fumes.

### Standard Features

- Fluorescent light fixture (bulbs included) accessed from outside the air chamber
- Black Powder Coated airfoils
- Black Powder Coated sash
- Louvered front panel
- VAV styles hoods have restricted bypass

### Options

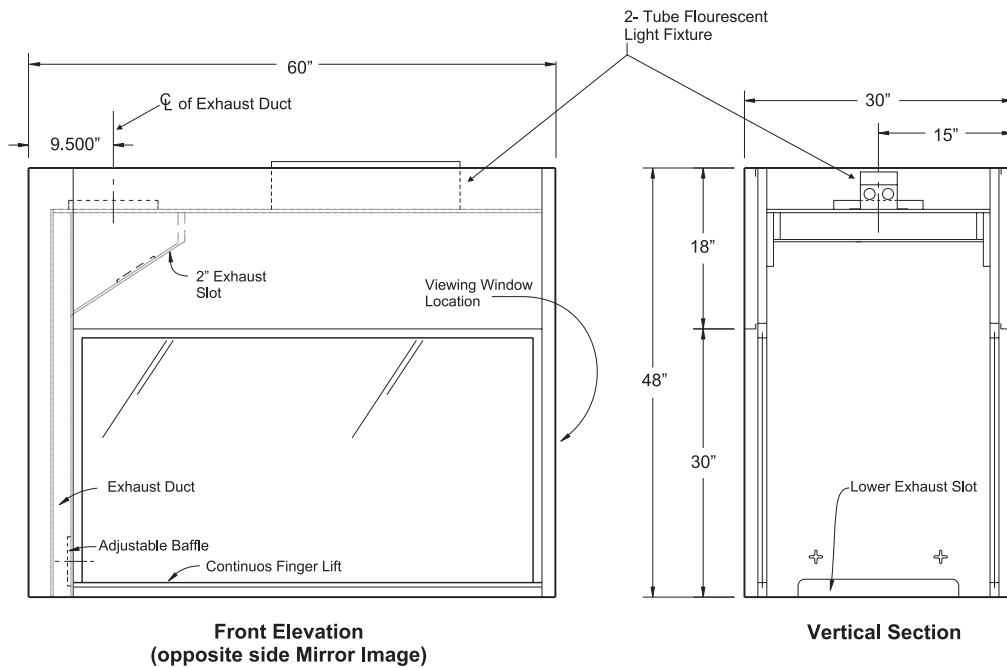
- Sash Inter-Lock
- Liner options
- Sash options
- Plumbing
- Electrical
- Blowers
- Other options



Model	CFM at 100LFM	S.P. at Hood**	Duct Size Standard	Duct Size Optional
L36MDS	540	.25 inches	8 inches	8" x 10"
L48MDS	770	.33 inches	9 inches	8" x 12"
L60MDS	1000	.34 inches	10 inches	8" x 16"
L72MDS	1250	.34 inches	10 inches	8" x 20"
L96MDS	1750	.40 inches	(2) 9 inch ducts	(2) 8" x 12"

\*\*1 sash open

## LABSCAPE Demo



### Standard Design

**Air Management:** Interior has adjustable top baffles.

**Superstructure:** Outer wall is chemically resistant powder coated sheet steel. Interior fining is a phenolic sheet material unless otherwise specified. Hood superstructure does not accommodate services.

### Standard Features

- Fluorescent Light Fixture (bulb included)
- 17" x 27" end window (may be omitted)
- Stainless steel sash interiors

### Options

- Liner options
- Sash options (no H&V applications)
- Plumbing
- Electrical
- Blowers
- Other options

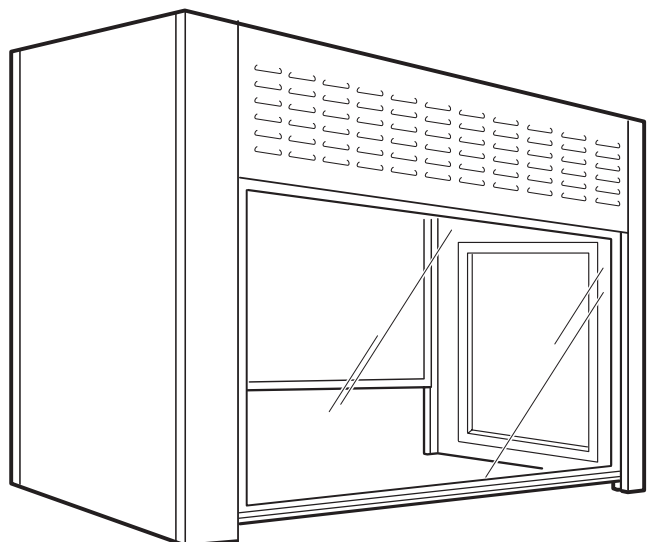
**Model:** 60MDM\*

**CFM at 60 LFM** (1 sash open): 1250

**S.P. At Hood:** .45"

**Duct Size:** 10" Diameter

**The Demonstration conventional bypass hood is ideal for classroom use, with sash access on both sides for team projects plus an end window for group viewing.**



\*Other hood sizes available upon request.