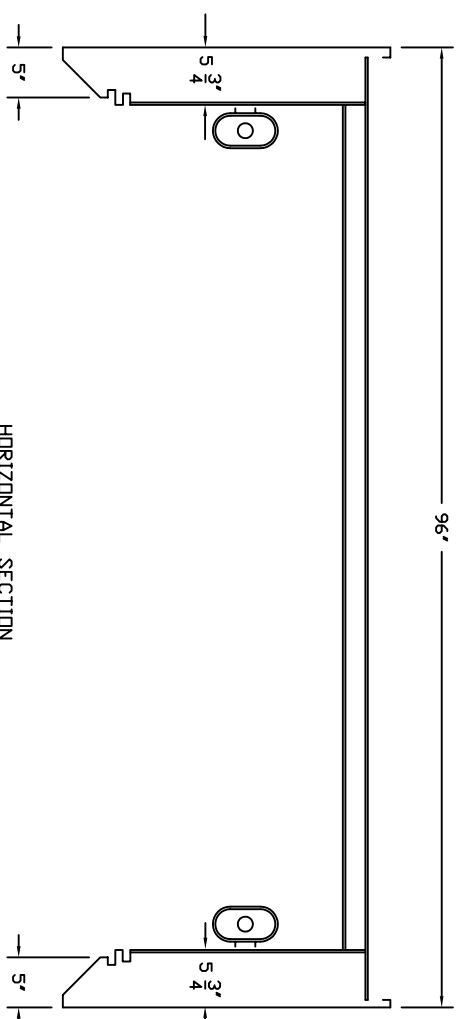




LONGO
Inc.

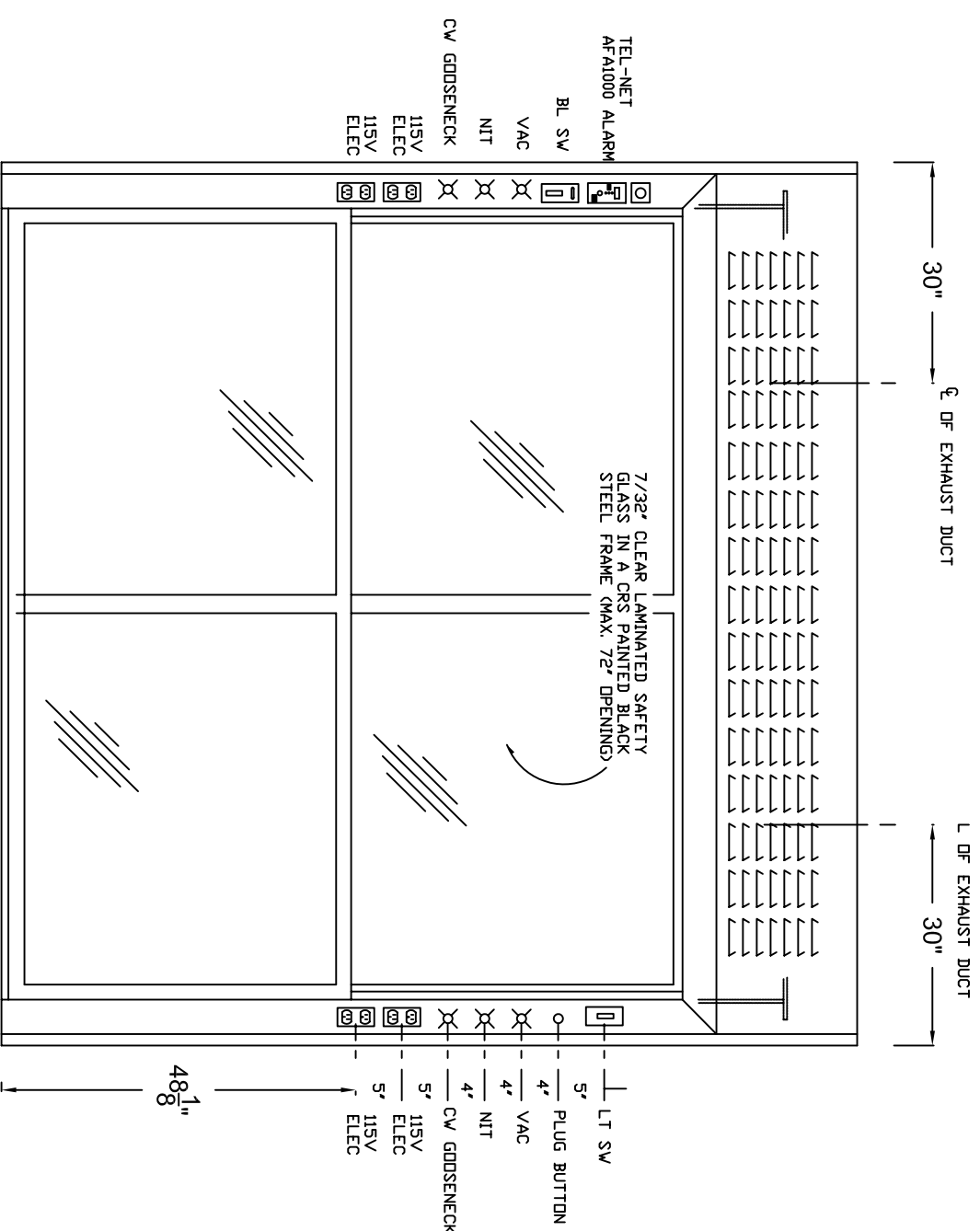
100 HILLTOP ROAD
RAMSEY, NJ 07446
PHONE: 201.825.1500
FAX: 201.825.4784
WWW.LONGOLABS.COM

HOOD EXHAUST RATINGS:
43 SQ FT OPENING AT FULL OPEN @ 100 LFM, 4300 CFM
213 SQ FT OPENING AT HALF OPEN @ 100 LFM, 2150 CFM
34 STATIC PRESSURE AT FUME HOOD DUCT COLLAR

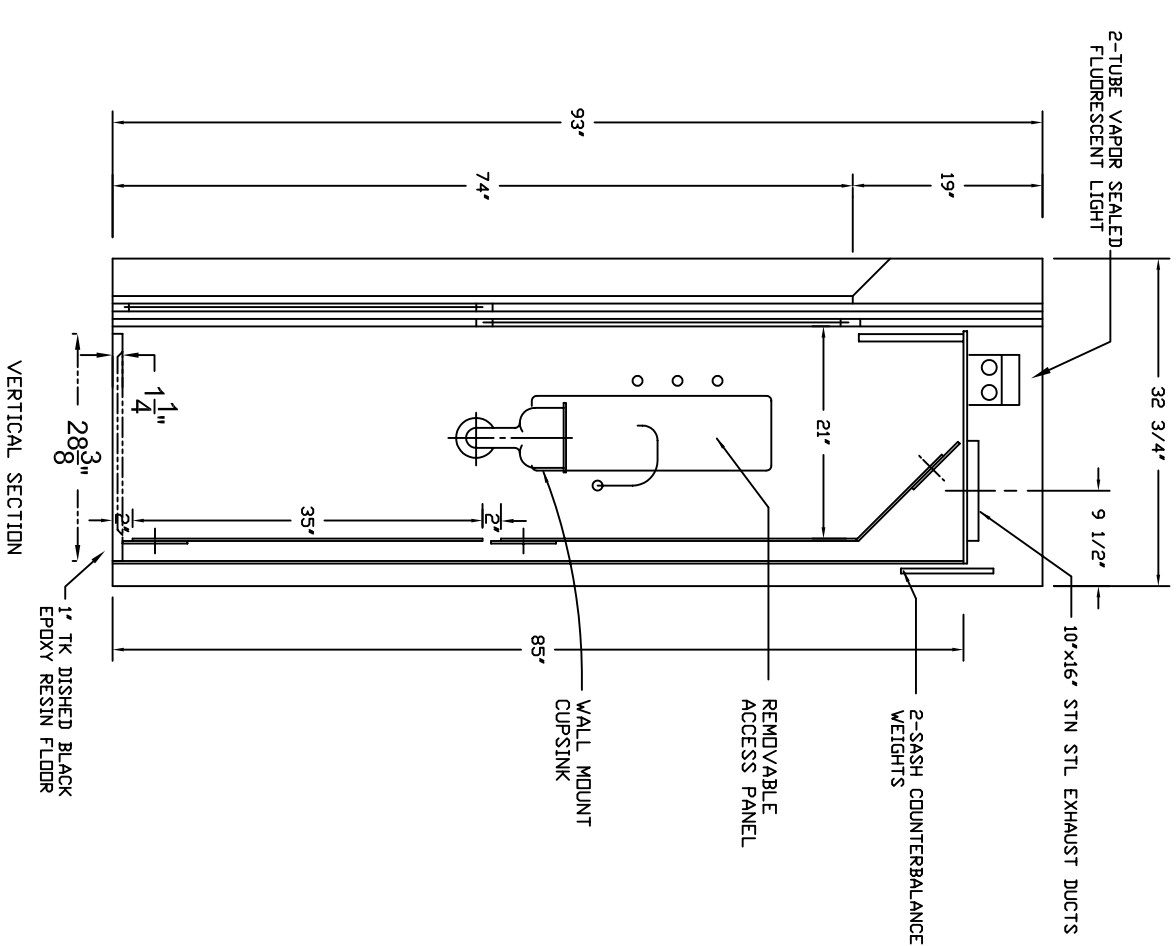


HORIZONTAL SECTION

C



FRONT ELEVATION



VERTICAL SECTION

QTY ONE - AMS-96 MWI FUME HOOD REQ'D AS SHOWN

SHEET DESCRIPTION:

DETAIL

DATE: 2005.8.4

PROJECT #:

00000

SCALE: 1/2" = 1'-0"

DRAWN BY: SEAN ONDICH

CHECKED BY: ANTHONY STELLATOS

ANTHONY@LONGOINC.COM

SHEET #:

D-010