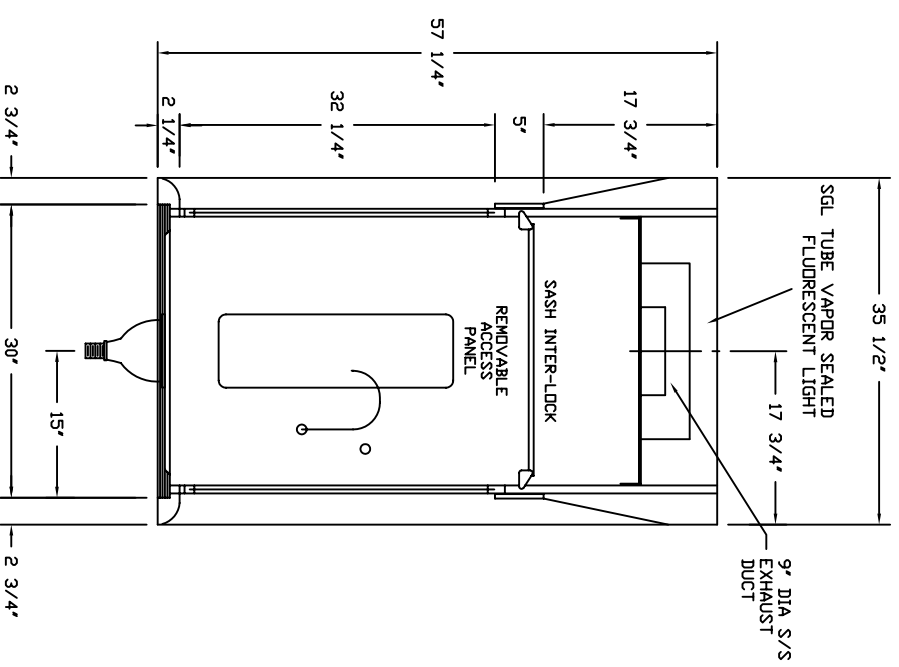
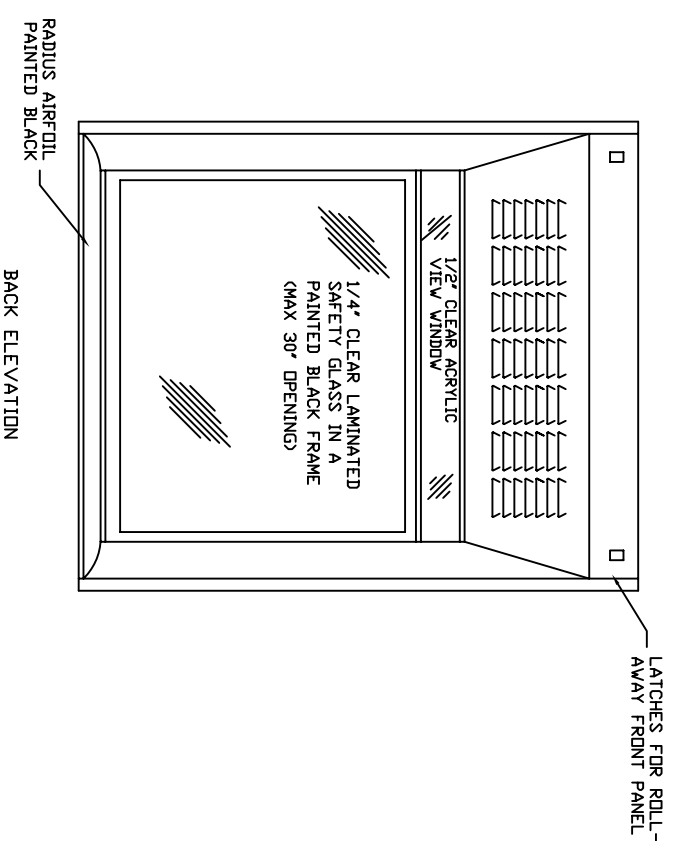
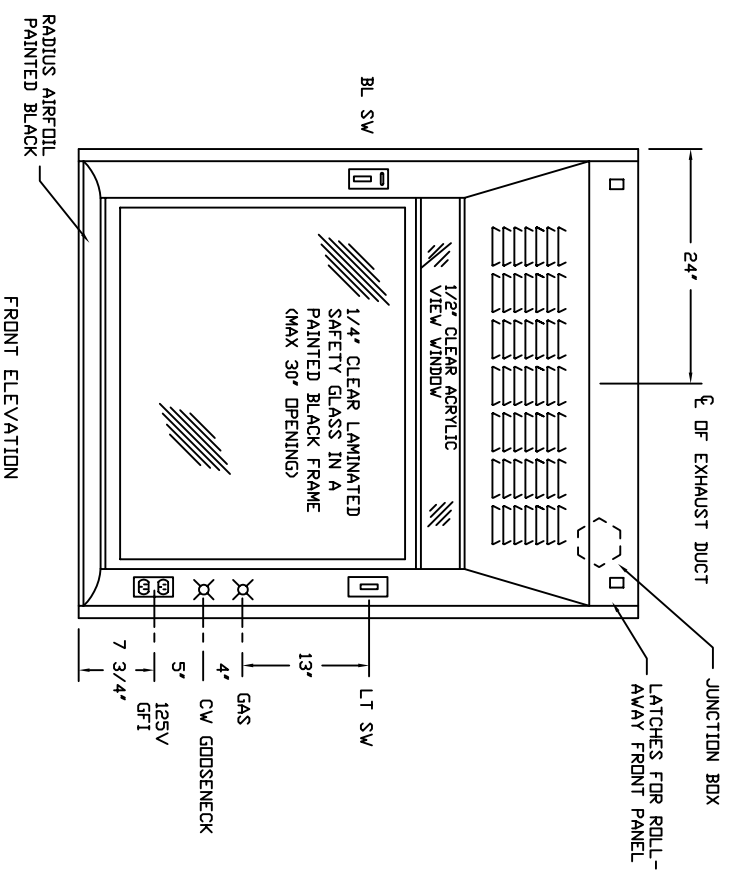


HORIZONTAL SECTION

HOOD EXHAUST RATINGS:
 7.92 SQ FT OPENING AT FULL OPEN @ 100 LFM, 792 CFM
 4.75 SQ FT OPENING AT 18" OPEN @ 100 LFM, 475 CFM
 .33 STATIC PRESSURE AT FUME HOOD DUCT COLLAR
 (BASED W/ ONE SASH OPEN)



SECTION THRU

QTY ONE--48-MDS-DOUBLE-SIDED FUME HOOD REQ'D AS SHOWN

CUSTOMER

LAB SCAPE

DEALER: LONGO ASSOCIATES - 100 HILLTOP ROAD - RAMSEY, NEW JERSEY - 07446
 PHONE: 201-825-1500 FAX: 201-825-4784 WWW.LONGOSCHOOLS.COM

DRN.	DATE	ITEM
CHK'D	DATE	ITEM
SCALE		SHEET
REVISONS		DR
		DRAWING NO.